



Centrifugal pumps that combine medium head with medium-high flow rate; ideal for sprinkle irrigation and in applications where quiet operations are requested and large change in flow produces small change in pressure drop.

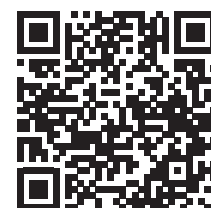
Construction features

Pump body	cast iron
Motor bracket	cast iron
Impeller	cast iron
Mechanical seal	ceramic-graphite-NBR
Motor shaft	stainless steel AISI 303
Liquid temperature	0 - 90 °C
Operating pressure	max 6 bar

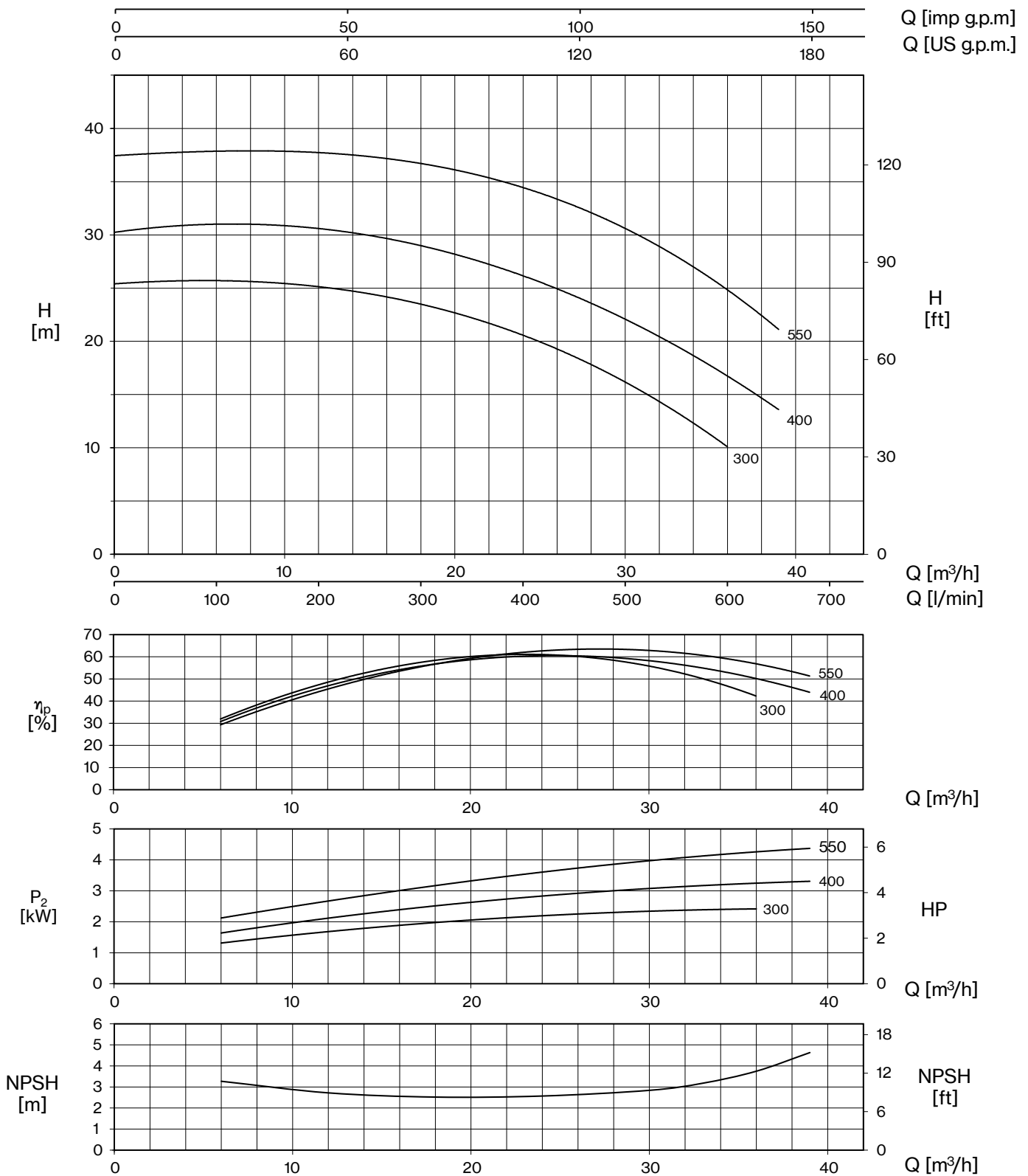
Motor

	3~ 230/400V-50Hz
2 Poles induction motor	1~ 230V-50Hz (with thermal protection)
Insulation class	F
Protection degree	IPX4

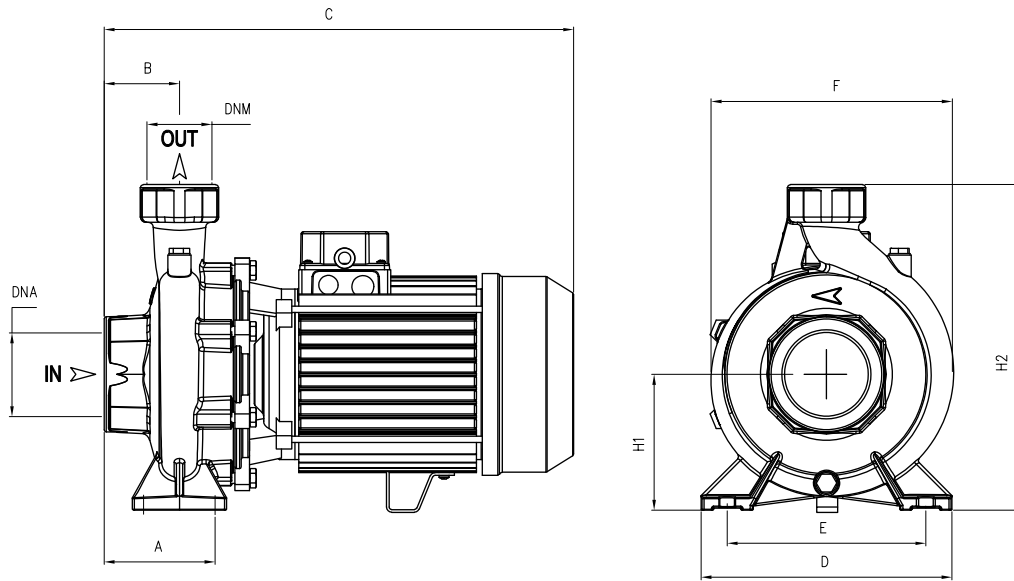
TYPE	LOTS			
	TRUCK		CONTAINER	
	PALLET (cm)	N° pumps	PALLET (cm)	N° pumps
SC 300-550	85×11×140	30	85×110×180	30

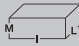



SC



TYPE		P2		P1 (kW)		AMPERE		Q (m³/h - l/min)								
1~	3~	HP	kW	1~	3~	1~	3~	0	6	12	18	24	30	33	36	39
								0	100	200	300	400	500	550	600	650
						1x230 V 50 Hz		3x400 V 50 Hz		H (m)						
SC 300	SC 300 T	3	2,2	2,8	2,8	12,7	5,2	25,4	25,6	25,3	23,5	20,5	16,2	13,5	10,0	
SC 400	SC 400 T	4	3	3,8	3,8	17,0	6,9	30,3	30,8	30,7	29,1	26,1	22,0	19,5	16,7	13,6
-	SC 550 T	5,5	4	-	5,0	-	9,1	37,4	37,8	37,9	36,8	34,3	30,2	28,2	25,5	20,7



TYPE	DIMENSIONS (mm)												 Kg	
	A	B	C	D	E	F	H1	H2	DNA	DNM	I	L		M
SC 300	105	70	465	240	190	240	126	306	3" G	2" G	530	280	355	38
SC 300 T	105	70	425	240	190	240	126	306			530	280	355	35
SC 400	105	70	480	240	190	240	126	306			530	280	355	45,5
SC 400 T	105	70	465	240	190	240	126	306			530	280	355	38,5
SC 550 T	105	70	480	240	190	240	126	306			530	280	355	45,5



Centrifugal pumps that combine medium head with medium-high delivery; ideal for sprinkle irrigation and in applications where quiet operations are requested and only slight pressure change as the delivery changes.

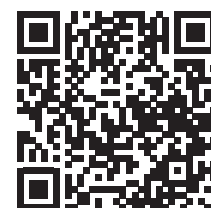
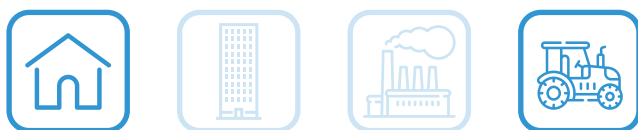
Construction features

Pump body	cast iron
Motor bracket	cast iron
Impeller	brass
Mechanical seal	ceramic-graphite-NBR
Motor shaft	stainless steel AISI 303
Liquid temperature	0 - 90 °C
Operating pressure	max 6 bar

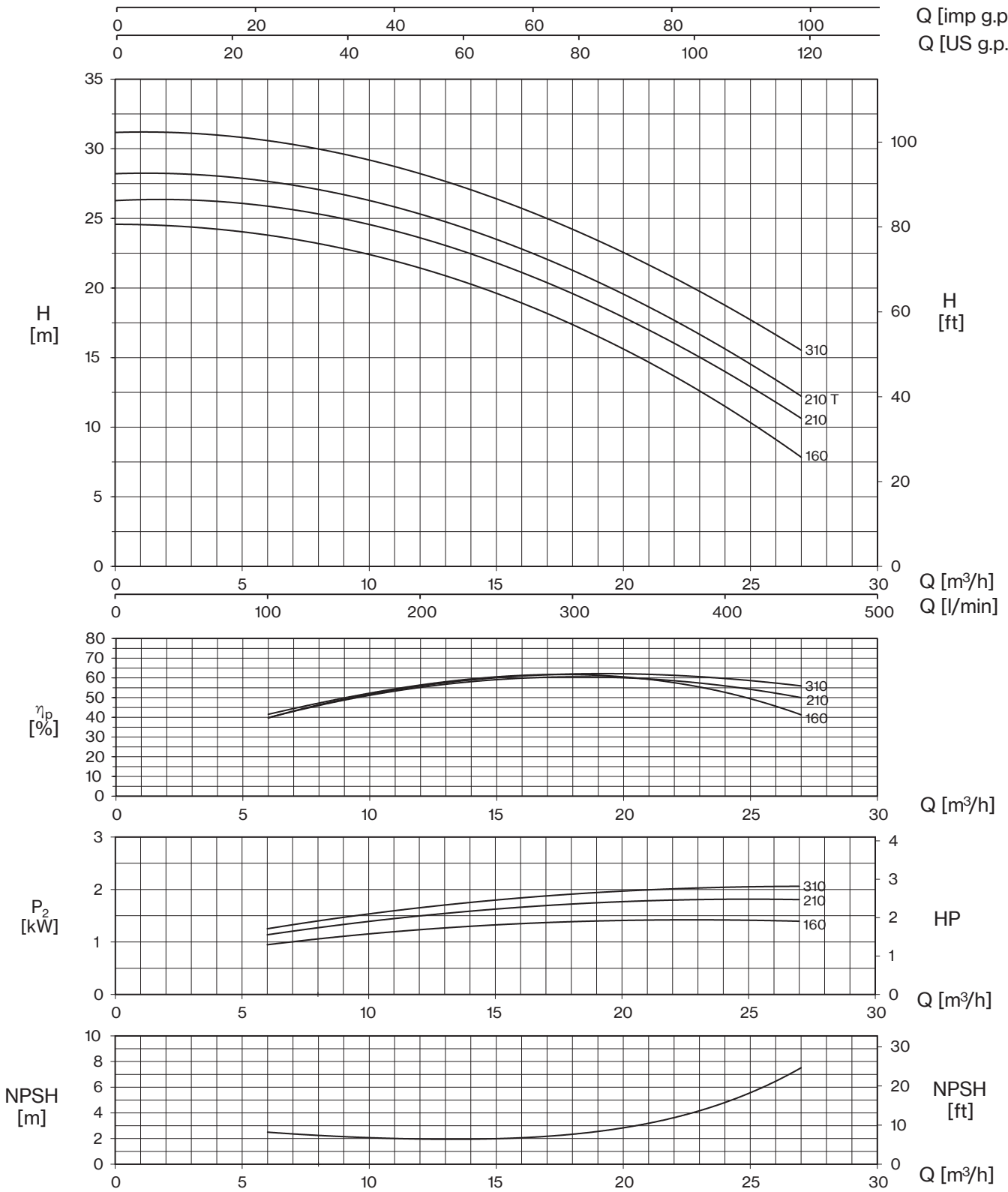
Motor

	3~ 230/400V-50Hz
2 Poles induction motor	1~ 230V-50Hz (with thermal protection up to MEC 80)
Insulation class	F
Protection degree	IPX4

TYPE	LOTS			
	TRUCK		CONTAINER	
	PALLET (cm)	N° pumps	PALLET (cm)	N° pumps
SE 160-310	85×110×140	40	85×110×195	60

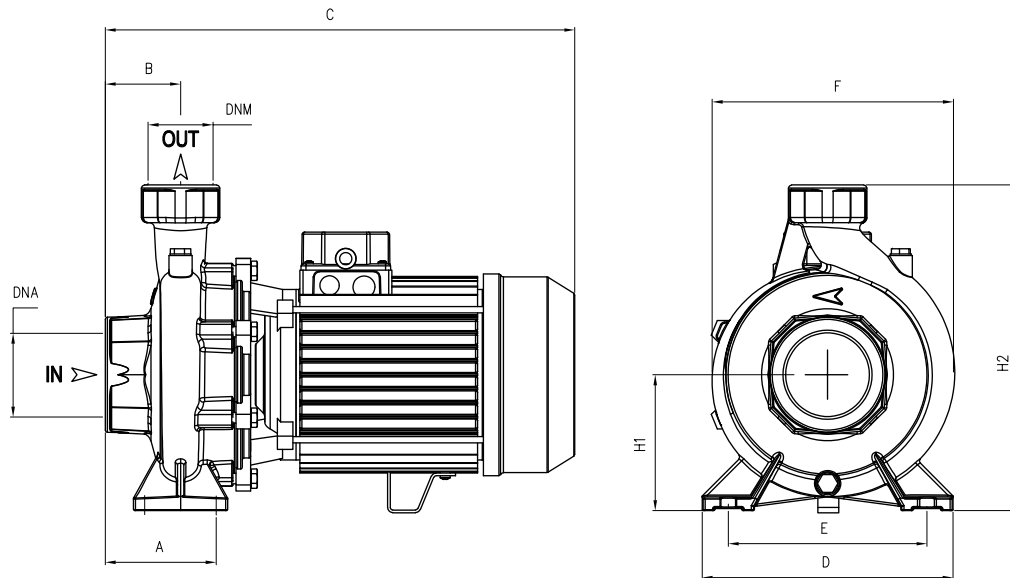


Q [imp g.p.m]
Q [US g.p.m.]



TYPE		P2		P1 (kW)		AMPERE		Q (m ³ /h - l/min)								
1~	3~					1~	3~	0	6	9	12	15	18	21	24	27
						1x230 V 50 Hz	3x400 V 50 Hz	0	100	150	200	250	300	350	400	450
		HP	kW	1~	3~	H (m)										
SE 160	SE 160 T	1,5	1,1	1,8	1,8	8,3	3,4	24,5	23,9	22,9	21,4	19,5	17,3	14,7	11,6	7,8
SE 210	-	2	1,5	2,1	-	10,1	-	26,3	25,9	25,0	23,6	21,7	19,6	17,1	14,1	10,6
-	SE 210 T	2	1,5	-	2,2	-	4,7	28,2	27,6	26,7	25,3	23,5	21,3	18,6	15,6	12,2
SE 310	SE 310 T	3	2,2	2,8	2,6	12,4	5,0	31,2	30,5	29,6	28,3	26,4	24,3	21,6	18,6	15,6

SE



TYPE	DIMENSIONS (mm)														
	A	B	C	D	E	F	H1	H2	DNA	DNM	I	L	M		
SE 160	105	48	370	200	160	215	110	280	2" G	2" G	390	230	300	24,5	T 23,5
SE 210	105	48	370	200	160	215	110	280			390	230	300	26	T 25,5
SE 310	105	48	410	200	160	215	110	280			430	230	300		31,5
SE 310 T	105	48	370	200	160	215	110	280			390	230	300		26