



Self priming pump for pools with a large built-in pre-filter, which, together with the excellent hydraulic performance of the pump, generates a very high filtration capacity. The transparent polycarbonate lid easily allows inspection of the pre-filter sieve. Pump body, seal housing and diffuser reinforced with glass fibre polypropylene are resistant to chemical products used for pools and guarantee excellent duration.



Pre-filter sieve

Construction features

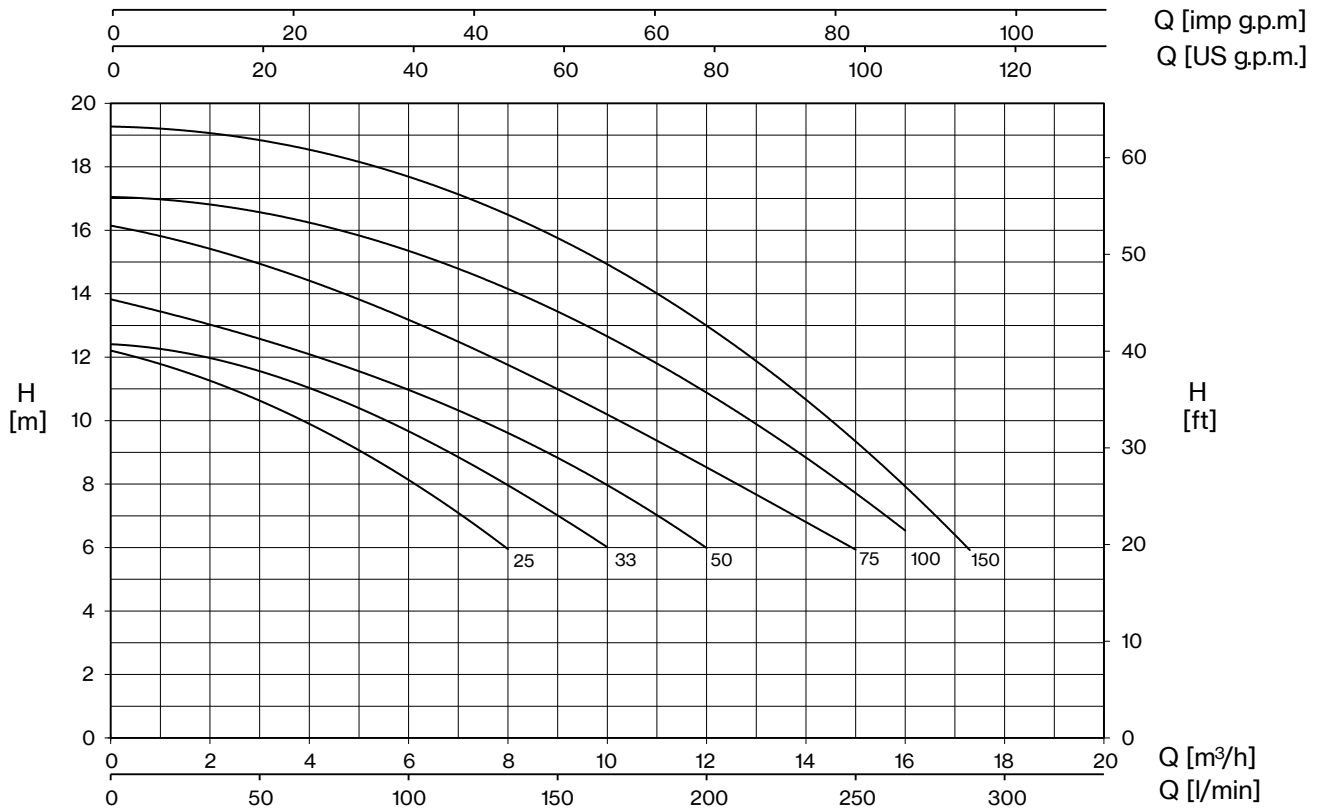
Pump body, seal housing, diffuser	polypropylene
Motor bracket	aluminum
Impeller	Noryl®
Mechanical seal	ceramic-graphite-AISI 316
Motor shaft	stainless steel AISI 316
Liquid temperature	max 40 °C
Pre-filter cover	polycarbonate

Motor

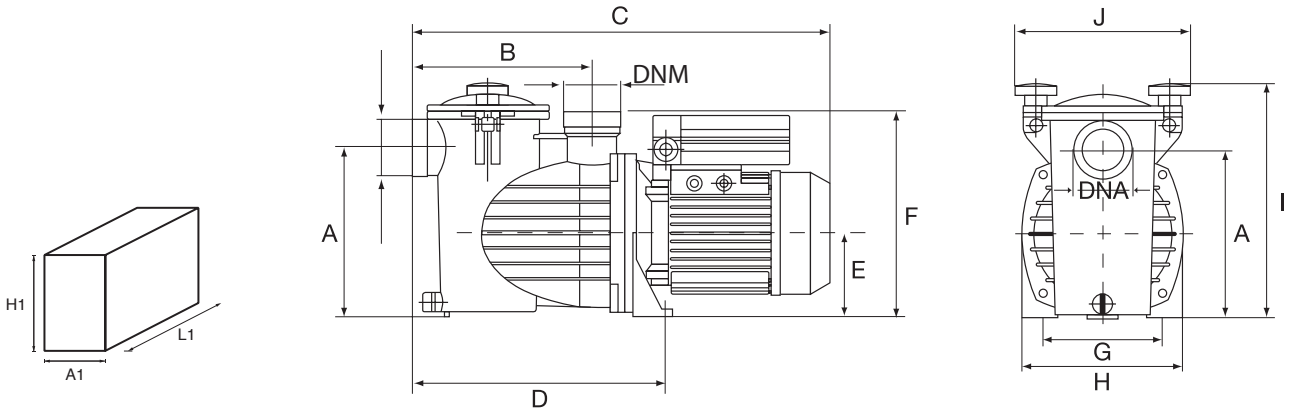
2 Poles induction motor	3~ 230/400V-50Hz
	1~ 230V-50Hz
Insulation class	F
Protection degree	IP55



POOL1



TYPE		P2		μF	AMPERE			H (m)							
1~	3~	HP	kW		1~	3~	3~	6	8	10	12	13	14	16	18
					230 V	230 V	400 V	Q (m³/h)							
POOL1 25M	POOL1 25T	0,25	0,16	18	2,6	1,3	0,8	8,0	6,0	4,0	0,5				
POOL1 33M	POOL1 33T	0,33	0,25	18	2,9	1,9	1,1	10,0	8,0	5,5	2,0				
POOL1 50M	POOL1 50T	0,5	0,37	18	3,3	2,5	1,4	12,0	10,0	7,0	5,0	1,0			
POOL1 75M	POOL1 75T	0,75	0,55	20	3,8	3,0	1,7	15,0	12,5	10,0	8,0	6,6	4,2		
POOL1 100M	POOL1 100T	1	0,75	20	4,2	3,4	2,0	16,0	15,3	13,0	10,5	9,7	7,6	5,5	
POOL1 150M	POOL1 150T	1,5	1,1	30	7,3	5,0	2,9	17,3	15,9	14,5	12,8	12,0	11,0	9,0	5,0



TYPE	DIMENSIONS (mm)											DNA/DNM	L1	A1	H1	Kg	
	A	B	C	D	E	F	G	H	I	J	Net					Gross	
POOL1 25M	191	205	470	285	95	233	140	180	265	197	1" 1/2 Ø 50 PVC	630	230	360	8,5	9,5	
POOL1 25T												630	230	360	9,8	10,8	
POOL1 33M	191	205	470	285	95	233	140	180	265	197		630	230	360	8,5	9,5	
POOL1 33T												630	230	360	9,8	10,8	
POOL1 50M	191	205	470	285	95	233	140	180	265	197		630	230	360	8,5	9,5	
POOL1 50T												630	230	360	9,8	10,8	
POOL1 75M	191	205	470	285	95	233	140	180	265	197		630	230	360	9,9	10,9	
POOL1 75T												630	230	360	9,8	10,8	
POOL1 100M	191	205	470	285	95	233	140	180	265	197		630	230	360	9,9	10,9	
POOL1 100T												630	230	360	9,8	10,8	
POOL1 150M	191	205	470	285	95	233	140	180	265	197	630	230	360	10,6	11,6		
POOL1 150T											630	230	360	10,5	11,8		