

2JA/JAM



Pressurisation units with 2 self-priming pumps of JA/JAM series on a single skid, connected in parallel by suction and delivery manifolds.

They are available in fixed speed version with electronic control panel or in variable speed version with EPIC inverters for constant pressure. The key characteristics of these systems are their reliability, user-friendly operation, and low maintenance needs. Installation of a pressure tank is required.

Booster set features

Suction manifold	galvanized steel with non-return and isolation valves
Delivery manifold	galvanized steel with pressure gauge and isolation valves, two connectors in the delivery manifold for direct installation of pressure tanks up to 24 lt
Base frame	galvanized steel
Fixed speed	electronic control panel EQ2SM(T) and two pressure switches
Variable speed	inverter EPIC on each pump and two pressure sensors
Pressure tanks	available on request as accessories

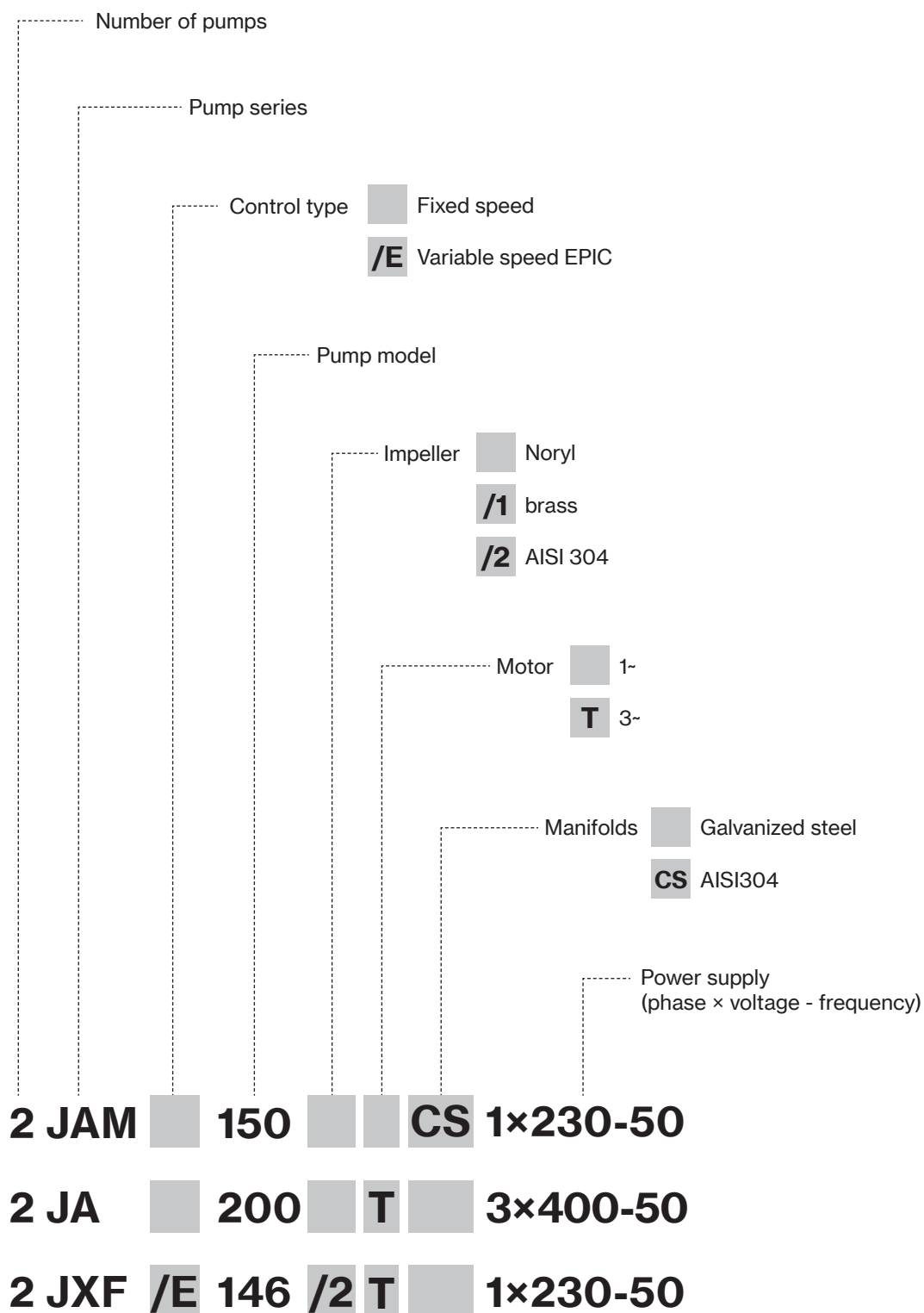
Pump features

Pump body, mechanical seal housing	cast iron
Motor bracket	aluminum (106N÷146) cast iron (150÷300)
Impellers, diffusers	Noryl®, brass, inox for 106N÷146
Mechanical seal	ceramic-graphite-NBR
Motor shaft	stainless steel AISI 416
Liquid temperature	0 - 50 °C
Operating pressure	max 7 bar (106N÷146) max 8 bar (150÷300)
2 poles induction motor	3~ 230/400V - 50Hz 1~ 230V - 50Hz
Motor insulation class	F
Motor protection degree	IPX4

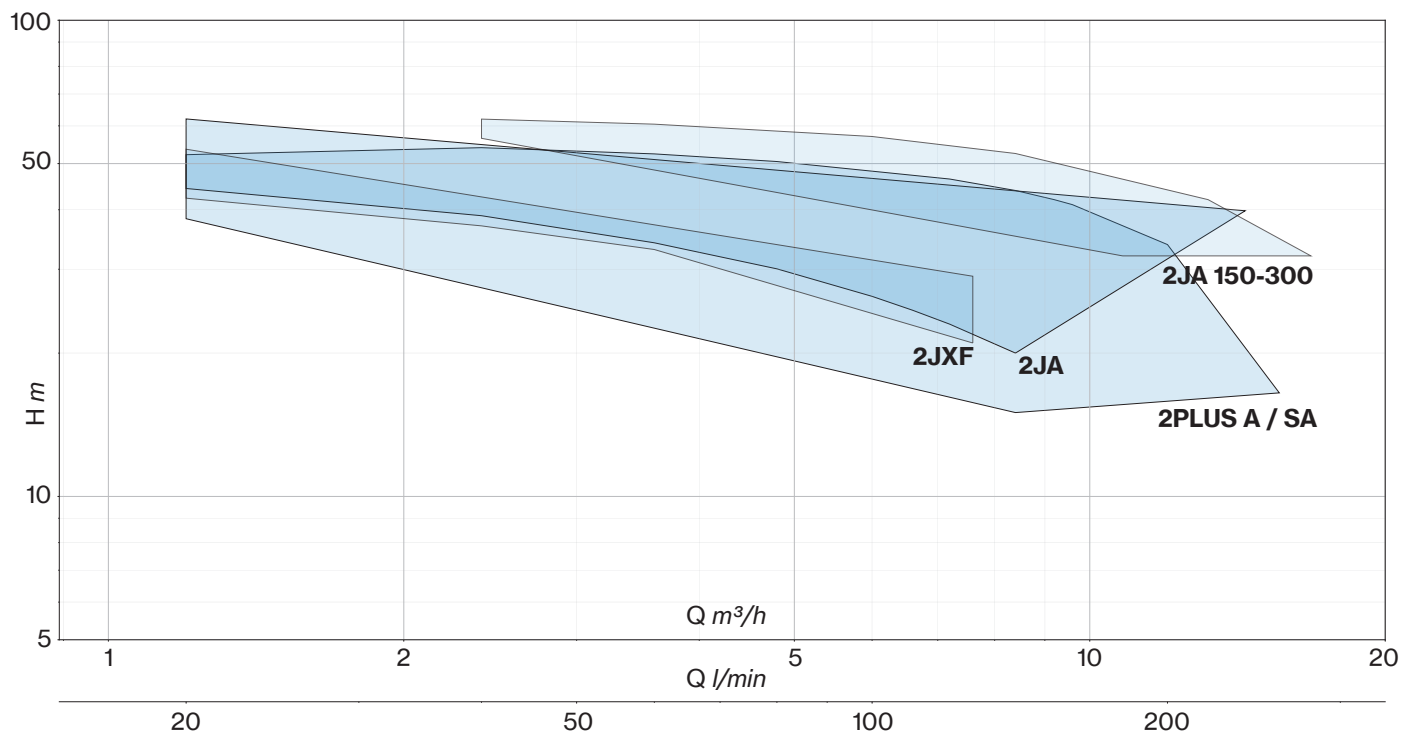
PERFORMANCE

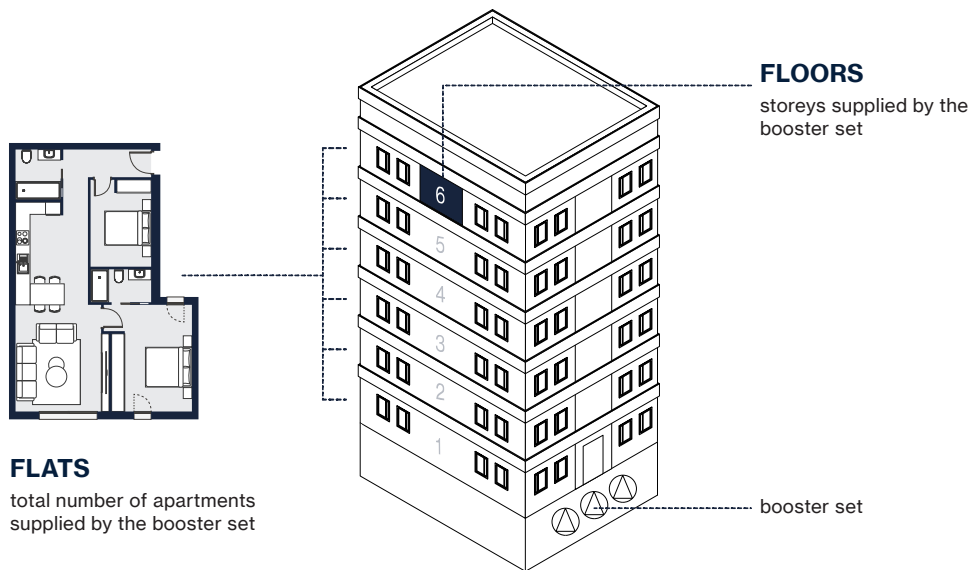
TARGET (2 pumps)		MODEL			P2 NOMINAL		Q (m³/h - l/min)												
		FIXED SPEED		VARIABLE SPEED			0	1,2	2,4	3,6	4,8	6	6,6	7,2	8,4	9,6	12	14,4	
l/min	bar	1~ 230V	3~ 400V	1~ 230V-in 3~ 230V-out	HP (x2)	kW (x2)	0	20	40	60	80	100	110	120	140	160	200	240	
		H (m)																	
80	3	2JA106N	2JA106NT	2JA/E106NT	1	0,74	50,9	44,3	38,9	34,1	30,1	26,3	24,6	23,0	20,0				
100	3	2JA126	2JA126T	2JA/E126T	1,2	0,88	55,1	48,5	42,6	37,8	33,5	29,7	27,9	26,2	23,0				
120	3	2JA146	2JA146T	2JA/E146T	1,5	1,1	62,5	55,7	49,4	44,2	39,5	35,5	33,5	31,6	28,1				
140	3,5	2JAM150	2JAM150T	2JAM/E150T	1,5	1,1	50,7	48,2	45,7	43,3	41,0	38,9	37,8	36,8	34,6	32,5	28,5	25,0	
160	4	2JAM200	2JAM200T	2JAM/E200T	2	1,5	58,1	55,4	52,8	50,3	48,0	46,0	45,0	44,0	42,0	40,0	36,0	32,4	
180	4,5	-	2JAM300T	-	3	2,2	64,8	62,1	59,5	57,2	55,0	53,0	52,0	51,0	49,0	47,1	43,2	39,8	

Name key



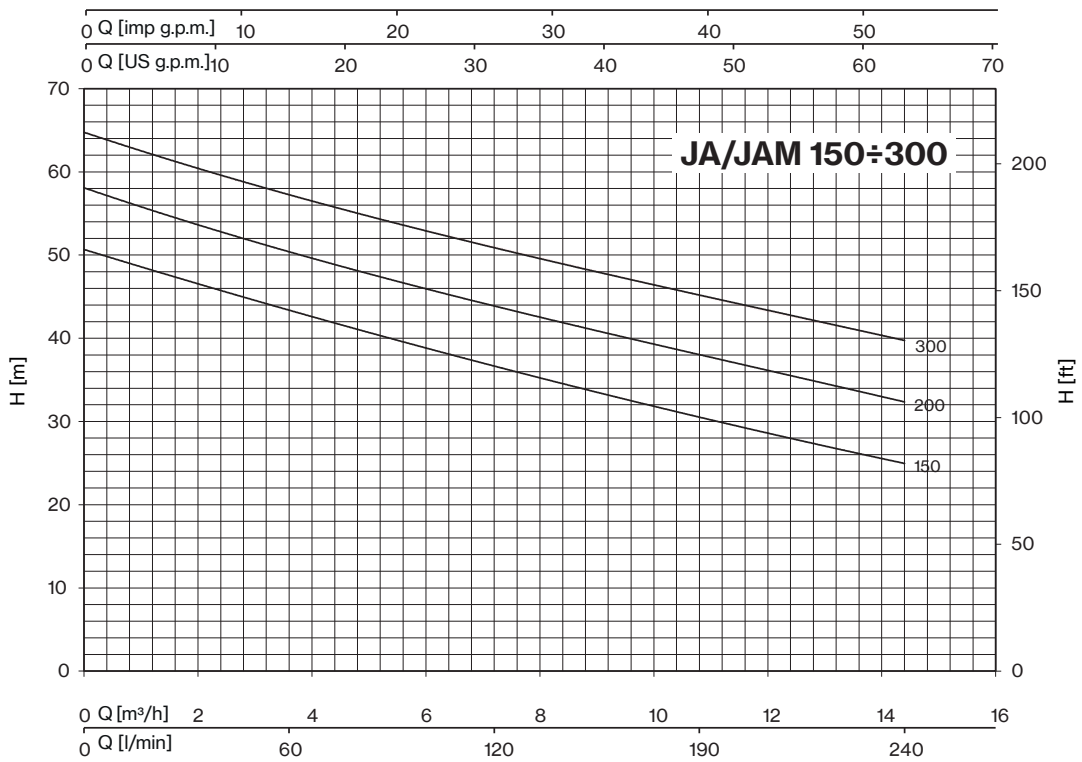
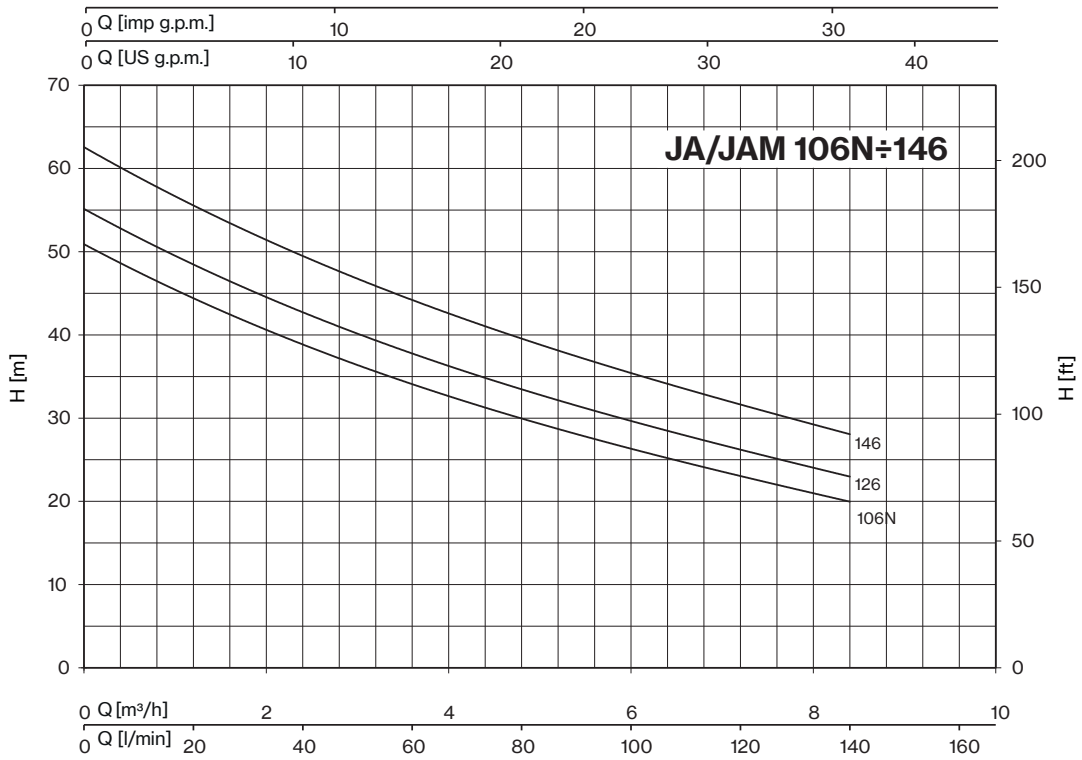
Performance data and curves

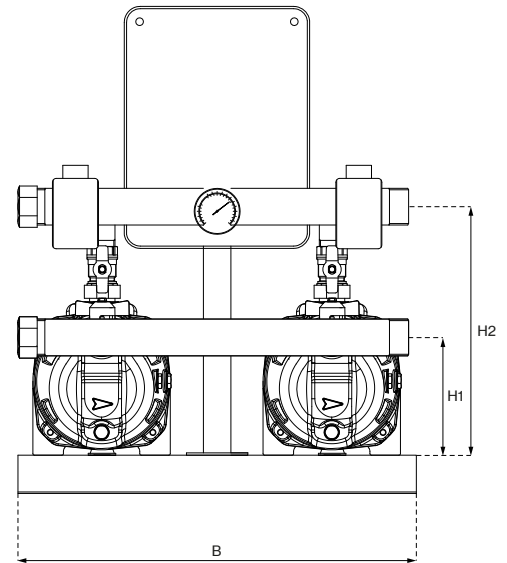
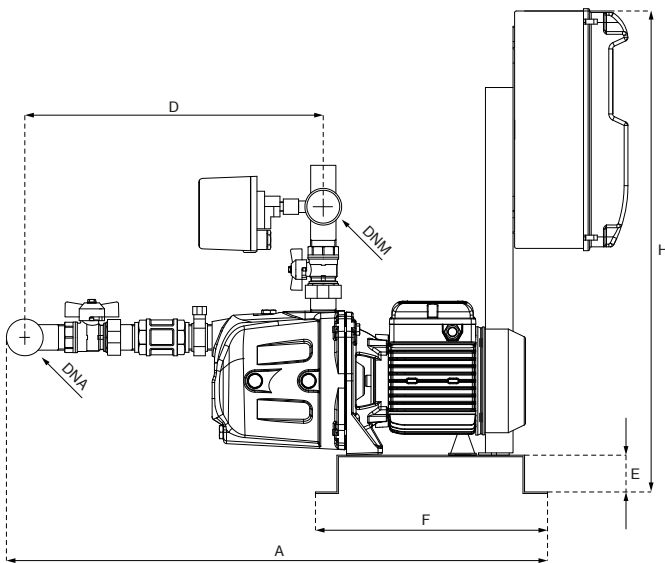




FLATS		FLOORS	PLUS A series	PLUS SA series	JA/JAM series	JXM series	JA 150-300 series
1 duty and 1 standby pumps	2 duty pumps						
1	1-2	1-2	2P3A_-90/4_	2P3SA_-90/4_	2JA_106N_	2JXF_106N_	-
		3	-	2P3SA_-90/4_	2JA_106N_	-	-
2	3-4	1-2	2P3A_-100/5_	2P3SA_-90/4_	2JA_126_	2JXF_126_	-
		3	2P3A_-100/5_	2P3SA_-100/5_	2JA_146_	2JXF_146_	-
		4	-	2P3SA_-100/5_	2JA_146_	-	-
		5	-	-	-	-	2JA_150_
3-4	5-8	1-2	2P5A_-120/4_	2P5SA_-120/4_	2JA_146_	2JXF_146_	-
		3	2P5A_-120/4_	2P5SA_-120/4_	2JAM_150_	-	-
		4	2P5A_-150/5_	2P5SA_-150/5_	2JAM_200	-	2JA_150_
		5	2P5A_-150/5_	2P5SA_-150/5_	2JAM_200	-	2JA_150_
		6	2P5A_-150/5_	2P5SA_-150/5_	2JAM_300	-	2JA_200_
		7	-	-	2JAM_300	-	2JA_200_
		8	-	-	-	-	2JA_300_

2JA/JAM





MODEL			P1		In			Required tank for v.s.	DIMENSIONS										WEIGHT		
FIXED SPEED		VARIABLE SPEED	1~	3~	1~	3~	3~		Lt	A	B	D	E	F	H	H1	H2	DNA	DNM	f.s.	v.s.
1- 230V	3- 400V	1- 230V-in 3- 230V-out	kW (x2)		A (x2)					mm										Kg	
2JA106N	2JA106NT	2JA/E106NT	1,04	0,92	4,7	1,7	2,9	2× 8	745	520	383	50	300	650	150	325	1" ½ G	1" ½ G	49	54	
2JA126	2JA126T	2JA/E126T	1,14	1,07	5,2	1,9	3,3	2× 8	745	520	383	50	300	650	150	325			50	55	
2JA146	2JA146T	2JA/E146T	1,3	1,25	6	2,5	4,3	2× 8	745	520	383	50	300	650	150	325			51	56	
2JAM150	2JAM150T	2JAM/E150T	1,9	1,8	8,2	3,4	5,9	2× 20	850	615	474	60	380	650	175	360	2" G		76	81	
2JAM200	2JAM200T	2JAM/E200T	2,2	2,1	9,8	3,9	6,8	2× 20	850	615	474	60	380	650	175	360			78	83	
-	2JAM300T	-	-	2,5	-	4,8	-	-	850	615	474	60	380	650	175	360			77	-	

f.s. : fixed speed
v.s. : variable speed