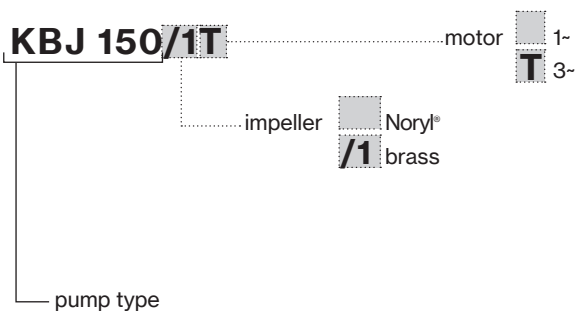


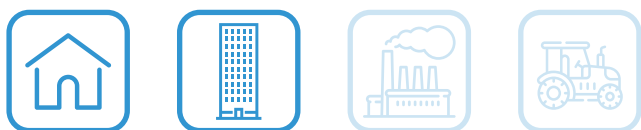
Two impeller compact centrifugal pumps for constructing pressurisation systems for civil and industrial plant: guarantee good ratio between pressure and flow rate.

Construction features	
<b>Pump body</b>	cast iron
<b>Motor bracket</b>	cast iron
<b>Impeller</b>	Noryl® or brass
<b>Mechanical seal</b>	ceramic-graphite-NBR
<b>Motor shaft</b>	stainless steel AISI 303
<b>Liquid temperature</b>	0 - 50 °C
<b>Operating pressure</b>	max 8 bar

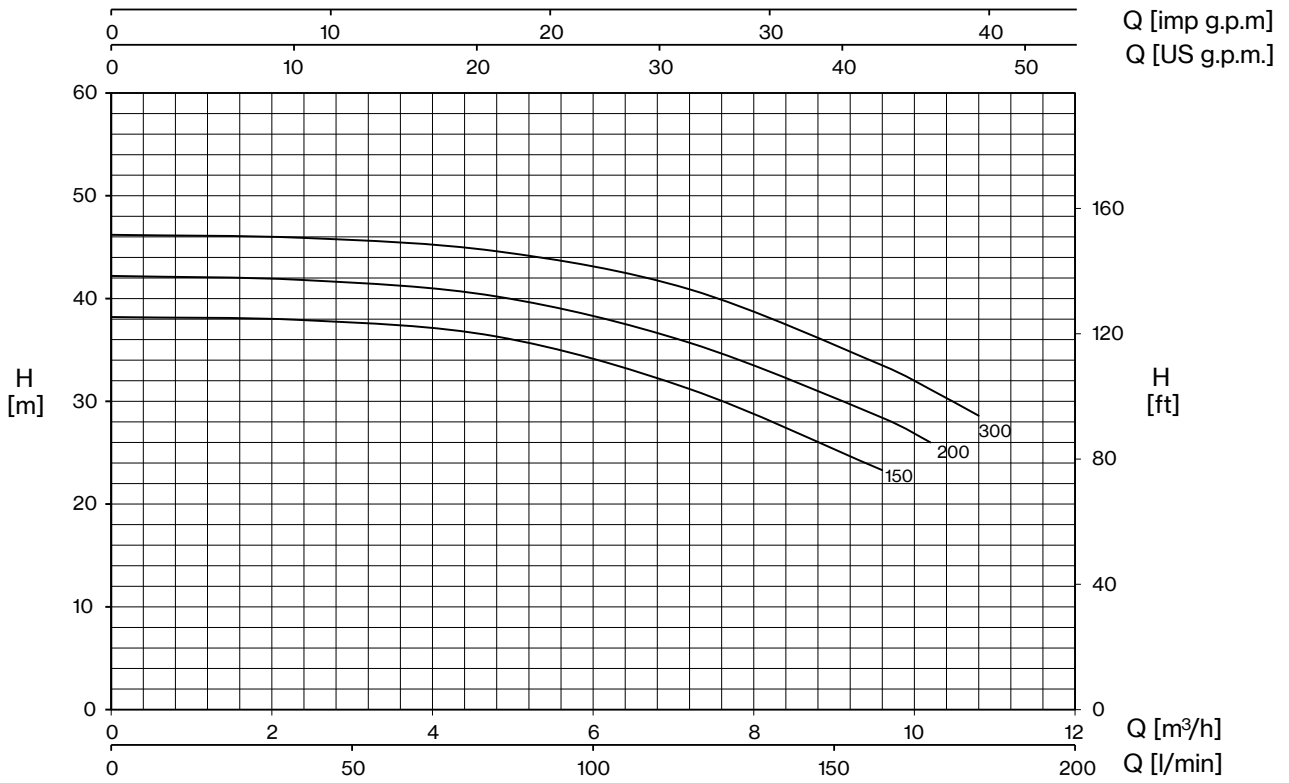
Motor	
	3~ 230/400V-50Hz
<b>2 Poles induction motor</b>	1~ 230V-50Hz (with thermal protection)
<b>Insulation class</b>	F
<b>Protection degree</b>	IPX4



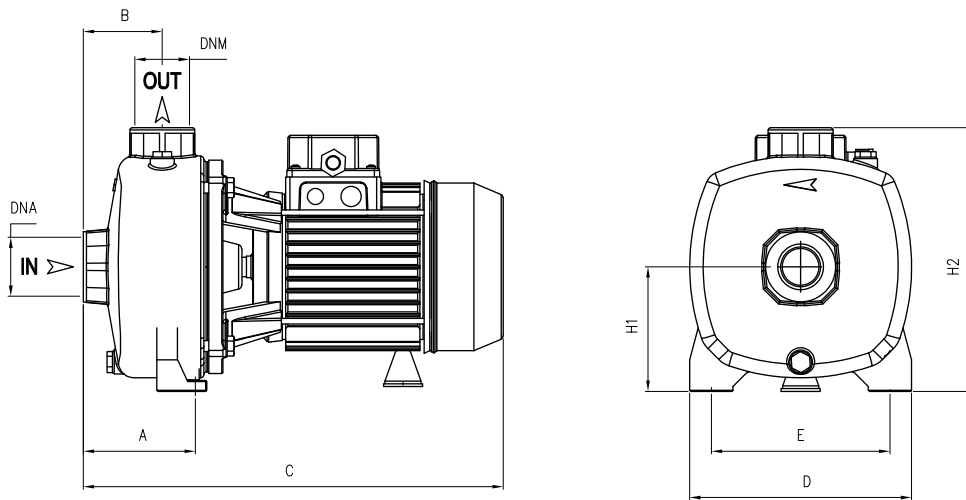
TYPE	LOTS			
	TRUCK		CONTAINER	
	PALLET (cm)	N° pumps	PALLET (cm)	N° pumps
<b>KBJ</b>	85×110×130	40	85×110×190	60



# KBJ



TYPE		P2		P1 (kW)		AMPERE		Q (m³/h - l/min)						
1~	3~	HP	kW	1~	3~	1x230 V 50 Hz	3x400 V 50 Hz	0	2,4	4,8	7,2	9,6	10,2	10,8
								0	40	80	120	160	170	180
								H (m)						
KBJ 150	KBJ 150 T	1,5	1,1	1,6	1,5	7,2	3,1	38,2	37,9	36,3	31,2	23,3		
KBJ 200	KBJ 200 T	2	1,5	1,85	1,75	8,4	3,4	42,2	41,8	40,2	35,7	28,4	26,0	
KBJ 300	KBJ 300 T	3	2,2	2,15	2,05	9,7	4,3	46,2	45,9	44,6	40,9	33,5	31,2	28,6



TYPE	DIMENSIONS (mm)													
	A	B	C	D	E	H1	H2	DNA	DNM	I	L	M	Weight	Torque
KBJ 150	108	73	385	205	165	115	242			405	225	295	22	T 21
KBJ 200	108	73	385	205	165	115	242	1" 1/2 G	1" 1/4 G	405	225	295	22,5	T 21,5
KBJ 300	108	73	385	205	165	115	242			405	225	295	23,5	T 22,5