



Self-priming centrifugal pump for domestic applications such as domestic systems where air is mixed with water. Recommended in combination with pressure set for water transfer, rainwater harvesting and garden irrigation systems.

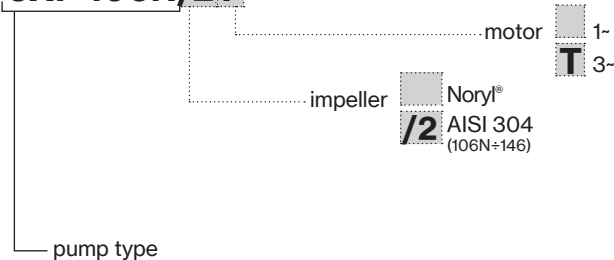
Construction features

| | |
|---------------------------|---|
| Pump body | stainless steel AISI 304 |
| Motor bracket | aluminum |
| Impeller | Noryl®; steel AISI 304 (106N, 126, 146) |
| Mechanical seal | ceramic-graphite-NBR |
| Motor shaft | stainless steel AISI 416 |
| Liquid temperature | 0 - 50 °C |
| Operating pressure | max 8 bar |

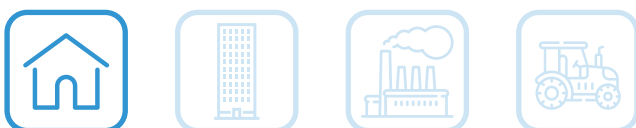
Motor

| | |
|--------------------------------|--|
| | 3~ 230/400V-50Hz |
| 2 Poles induction motor | 1~ 230V-50Hz (with thermal protection) |
| Insulation class | F |
| Protection degree | IPX4 |

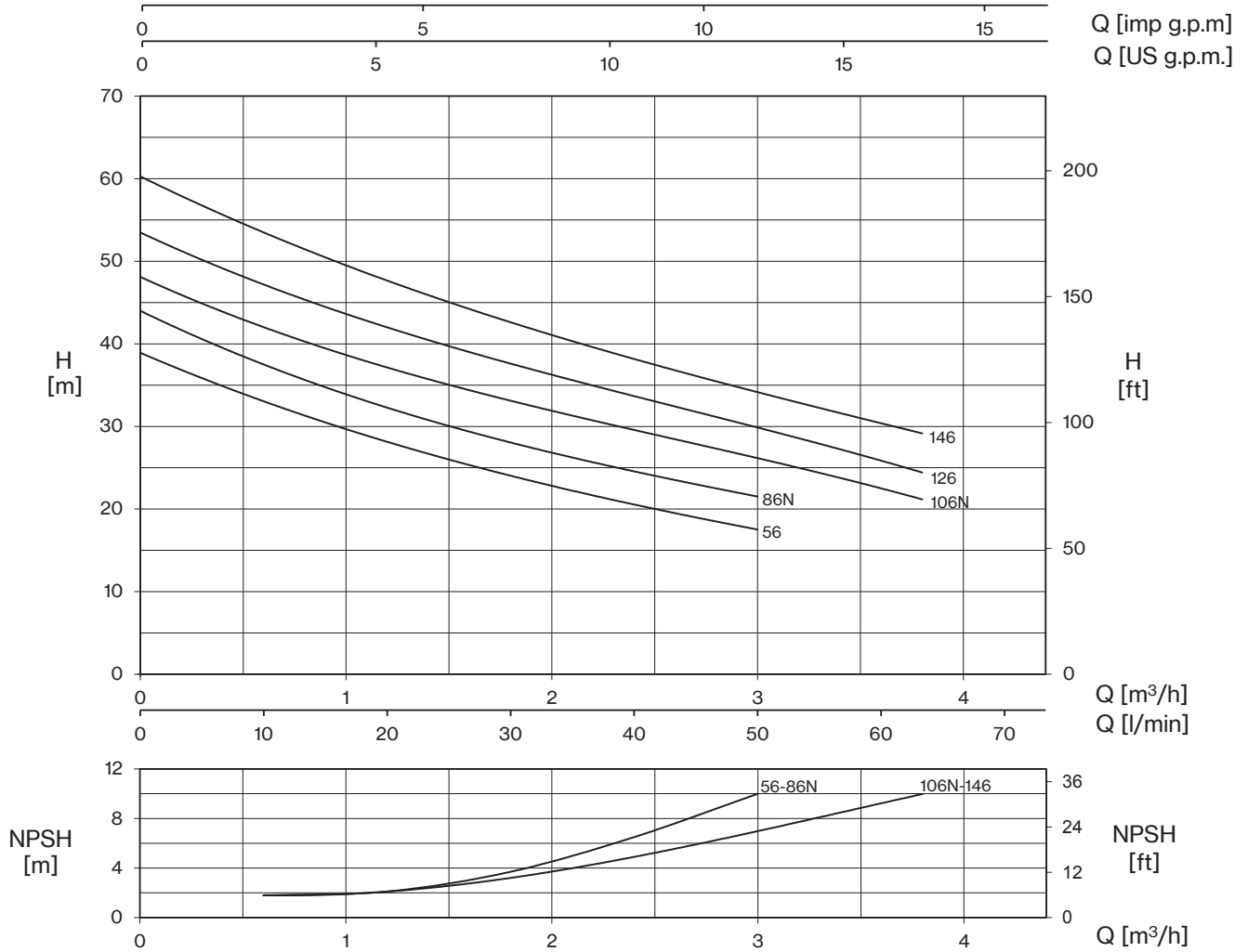
JXF 106N/2T



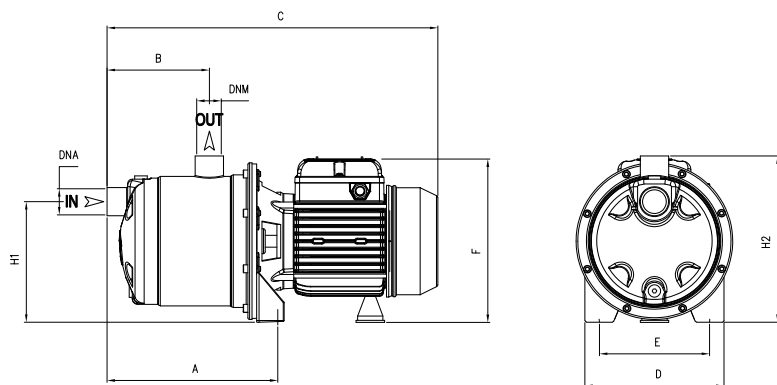
| TYPE | LOTS | | | |
|-------------------|-------------|----------|-------------|----------|
| | TRUCK | | CONTAINER | |
| | PALLET (cm) | N° pumps | PALLET (cm) | N° pumps |
| JXF 56-146 | 85×110×150 | 60 | 85×110×190 | 80 |



JXF



| TYPE | | P2 | | P1 (kW) | | AMPERE | | Q (m³/h - l/min) | | | | | | | |
|----------|------------|-----|------|---------|------|------------------|------------------|------------------|------|------|------|------|------|------|------|
| 1~ | 3~ | HP | kW | 1~ | 3~ | 1~ | 3~ | 0 | 0,6 | 1,2 | 1,8 | 2,4 | 3 | 3,6 | 3,8 |
| | | | | | | | | 0 | 10 | 20 | 30 | 40 | 50 | 60 | 63,3 |
| | | | | | | 1x230 V 50 Hz | 3x400 V 50 Hz | H (m) | | | | | | | |
| JXF 56 | JXF 56 T | 0,6 | 0,44 | 0,67 | 0,63 | 2,9 | 1,2 | 38,9 | 33,1 | 28,1 | 24,0 | 20,6 | 17,5 | | |
| JXF 86N | JXF 86N T | 0,8 | 0,59 | 0,75 | 0,76 | 3,3 | 1,4 | 44,0 | 37,5 | 32,3 | 28,0 | 24,6 | 21,5 | | |
| JXF 106N | JXF 106N T | 1 | 0,74 | 1,04 | 0,92 | 4,7 | 1,7 | 48,0 | 42,3 | 37,0 | 33,0 | 29,6 | 26,2 | 22,7 | 21,0 |
| JXF 126 | JXF 126 T | 1,2 | 0,88 | 1,14 | 1,03 | 5,2 | 1,9 | 53,4 | 47,4 | 41,9 | 37,5 | 33,7 | 29,9 | 26,0 | 24,3 |
| JXF 146 | JXF 146 T | 1,5 | 1,1 | 1,3 | 1,23 | 6,0 | 2,5 | 60,2 | 53,6 | 47,8 | 42,4 | 38,0 | 34,4 | 30,5 | 29,0 |



| TYPE | DIMENSIONS (mm) | | | | | | | | | | | | | Kg |
|----------|-----------------|-----|-----|-----|-----|-----|-----|-----|------|------|-----|-----|-----|------|
| | A | B | C | D | E | F | H1 | H2 | DNA | DNM | I | L | M | |
| JXF 56 | 208 | 128 | 410 | 175 | 140 | 215 | 153 | 210 | 1" G | 1" G | 430 | 210 | 235 | 8,5 |
| JXF 86N | 208 | 128 | 410 | 175 | 140 | 215 | 153 | 210 | | | 430 | 210 | 235 | 9,5 |
| JXF 106N | 208 | 128 | 410 | 175 | 140 | 215 | 153 | 210 | | | 430 | 210 | 235 | 10,5 |
| JXF 126 | 208 | 128 | 410 | 175 | 140 | 215 | 153 | 210 | | | 430 | 210 | 235 | 11 |
| JXF 146 | 208 | 128 | 410 | 175 | 140 | 215 | 153 | 210 | | | 430 | 210 | 235 | 11,5 |

JXF (Garden version)

Portable electropumps complete with handle, cable with plug and switch.
The performances depend on adopted pump type.

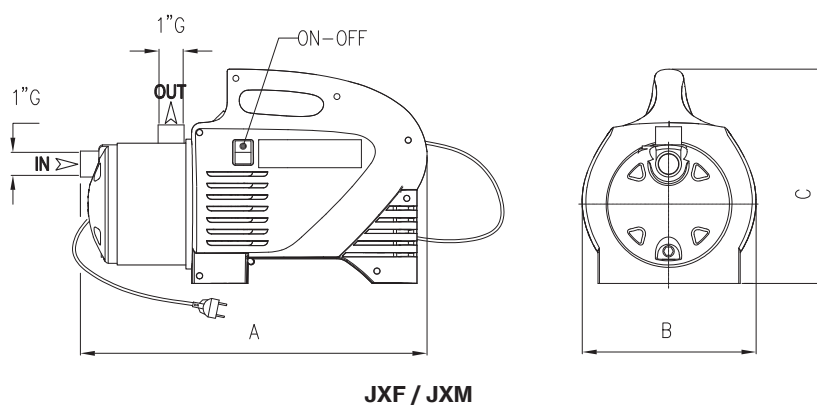
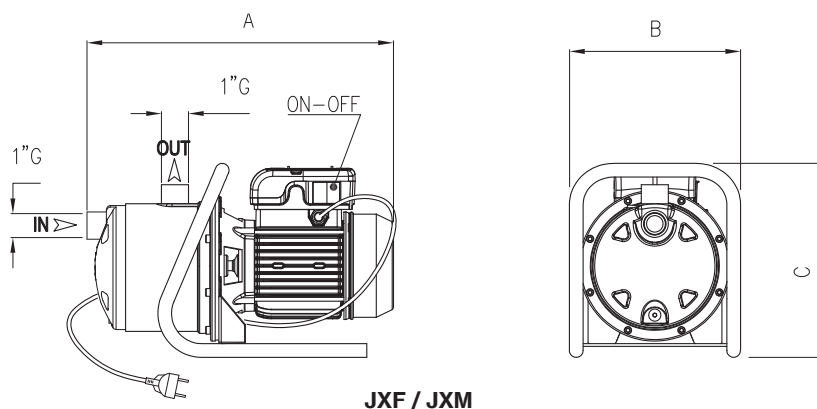


JXF



JXF BOX

| TYPE | P2 | | P1 (kW) | Pipe | | Performance | |
|----------|----|------|---------|--------------|---------------|-------------|-----------|
| | HP | kW | | Suction ("G) | Delivery ("G) | Q (l/min) | H (m) |
| JXF 106N | 1 | 0,74 | 1,04 | 1 | 1 | 10-63,3 | 42,3-21,0 |



| TYPE | DIMENSIONS (mm) | | |
|--------------|-----------------|-----|-----|
| | A | B | C |
| JXF 106N | 410 | 175 | 285 |
| JXF 106N BOX | 429 | 209 | 287 |