

2JA 150-300



Pressurisation units with 2 self-priming pumps of JA 150-300 series on a single skid, connected in parallel by suction and delivery manifolds.

They are available in fixed speed version with electronic control panel or in variable speed version with EPIC inverters for constant pressure. The key characteristics of these systems are their reliability, user-friendly operation, and low maintenance needs. Installation of a pressure tank is required.

Booster set features

Suction manifold	galvanized steel with non-return and isolation valves
Delivery manifold	galvanized steel with pressure gauge and isolation valves, two connectors in the delivery manifold for direct installation of pressure tanks up to 24 lt
Base frame	galvanized steel
Fixed speed	electronic control panel EQ2SM(T) and two pressure switches
Variable speed	inverter EPIC on each pump and two pressure sensors
Pressure tanks	available on request as accessories

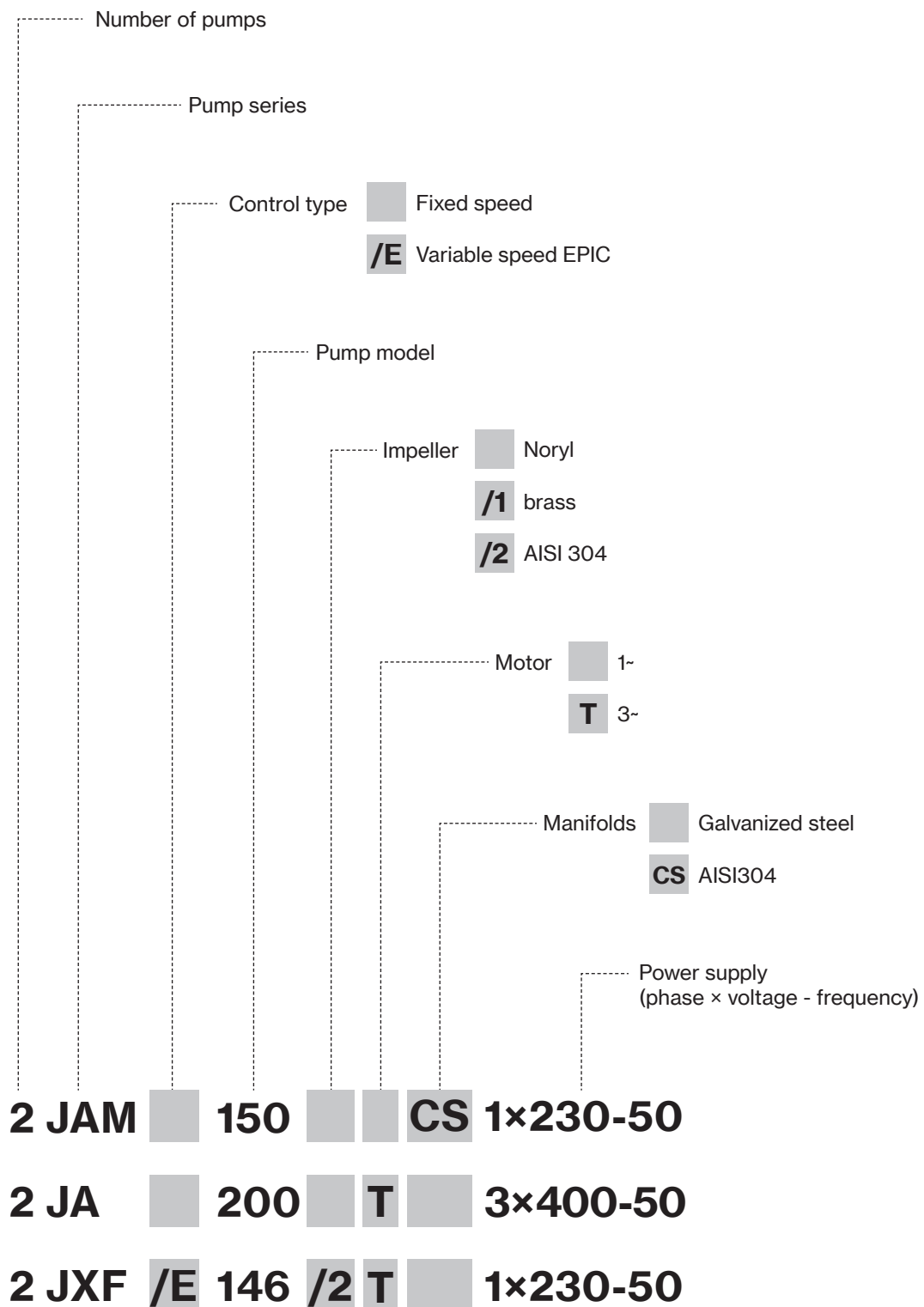
Pump construction features

Pump body	cast iron
Motor bracket	cast iron
Impeller	Noryl® or brass
Mechanical seal	ceramic-graphite-NBR
Motor shaft	stainless steel AISI 303 hydraulic side
Liquid temperature	0 - 50 °C
Operating pressure	max 8 bar
2 Poles induction motor	3- 230/400V - 50Hz 1- 230V - 50Hz
Motor insulation class	F
Motor protection degree	IPX4

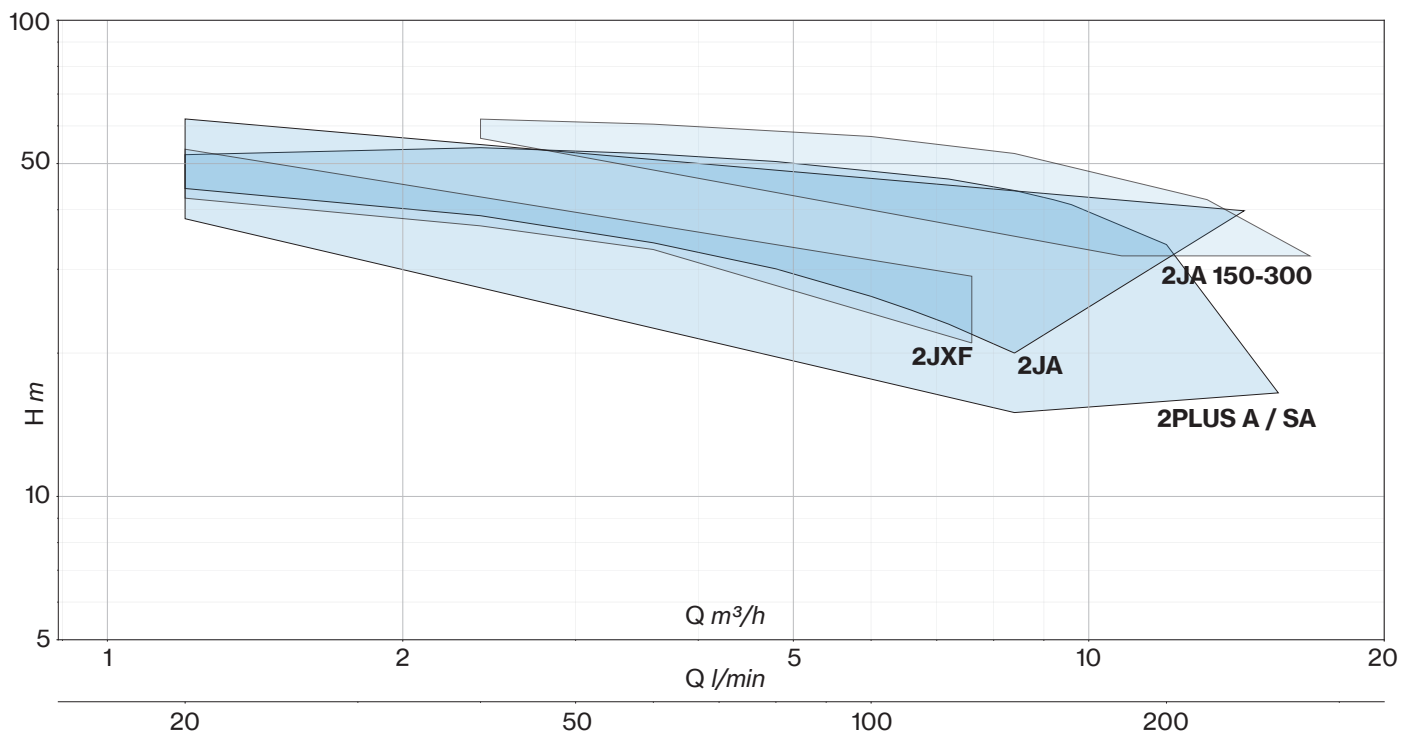
PERFORMANCE

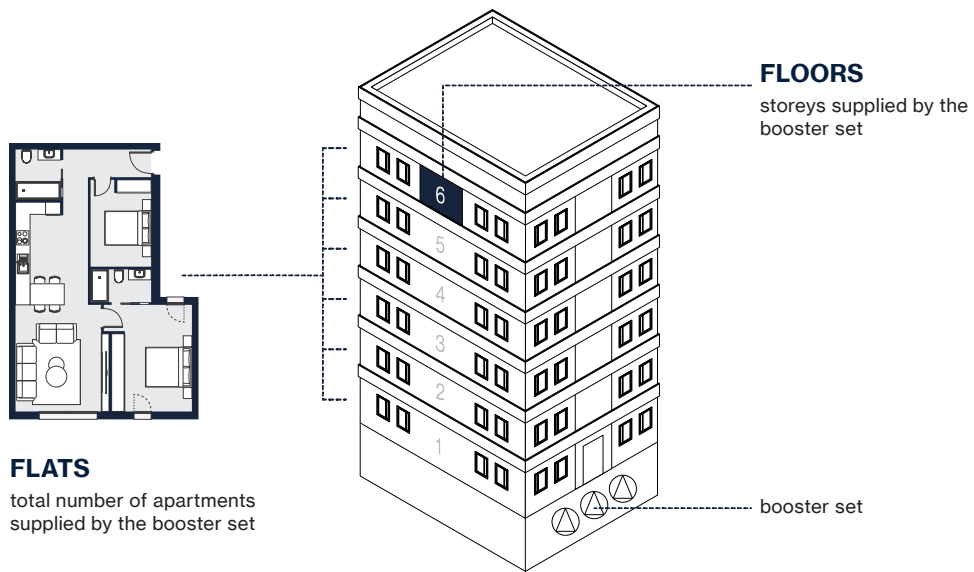
TARGET (2 pumps)		MODEL			P2 NOMINAL		Q (m³/h - l/min)									
		FIXED SPEED		VARIABLE SPEED			0	2,4	3,6	6,0	8,4	10,8	13,2	15,6	16,8	
l/min	bar	1- 230V	3- 400V	1- 230V-in 3- 230V-out	HP (x2)	kW (x2)	0	40	60	100	140	180	220	260,0	280	
140	4	2JA150	2JA150T	2JA/E150T	1,5	1,1	61,0	56,5	54,0	48,0	41,0	32,0				
180		2JA200	2JA200T	2JA/E200T	2	1,5	62,5	59,5	58,0	54,0	49,0	42,5	34,0			
220		2JA300	2JA300T	-	3	2,2	64,5	62,0	60,5	57,0	52,5	47,0	42,0	35,0	32,0	

Name key



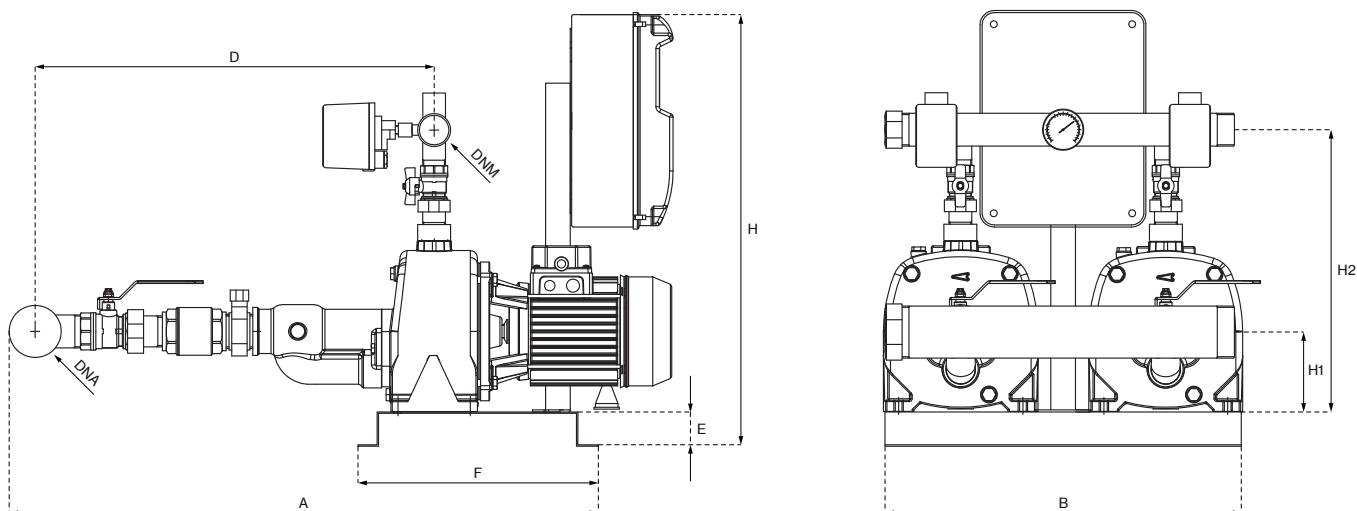
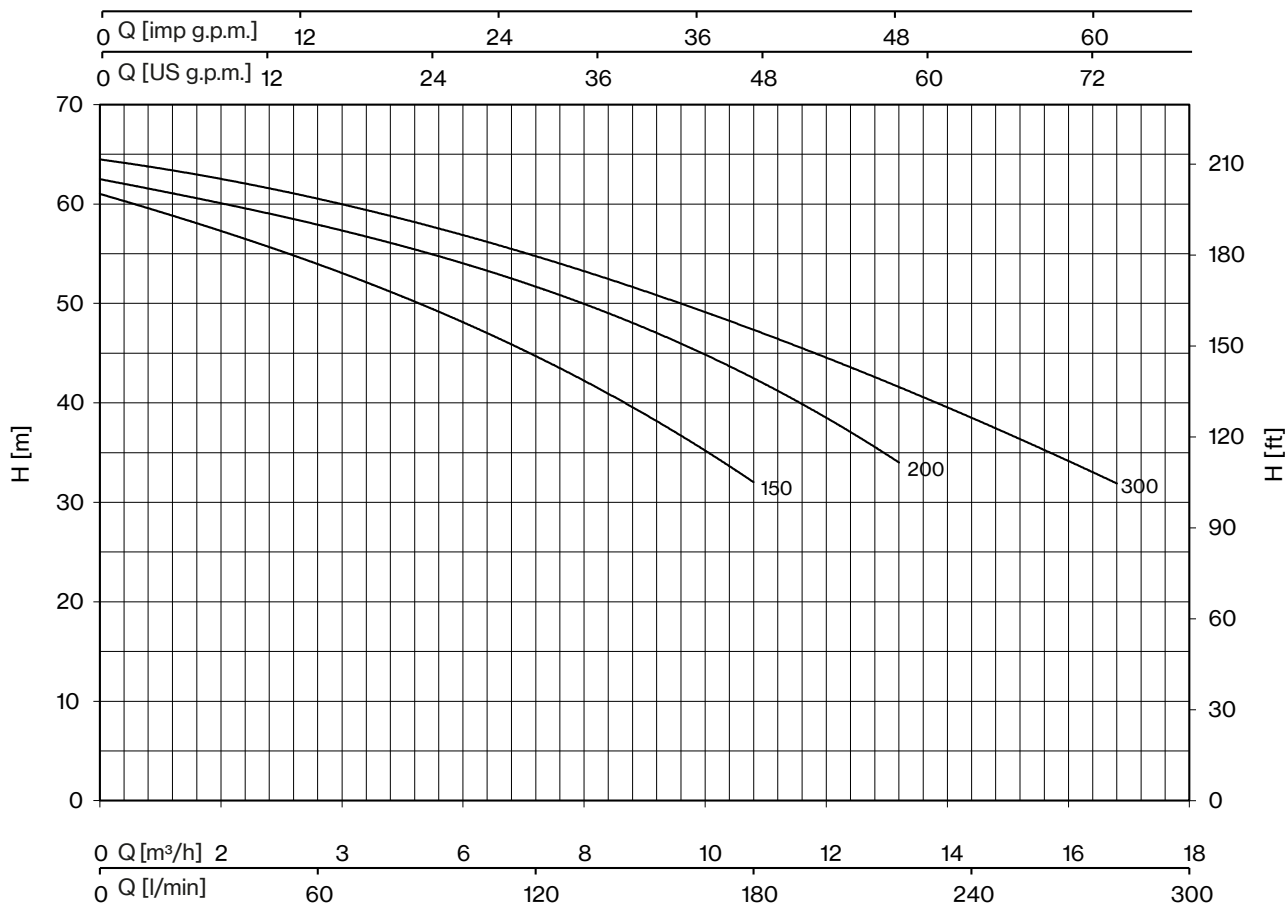
Performance data and curves





FLATS		FLOORS	PLUS A series	PLUS SA series	JA/JAM series	JXM series	JA 150-300 series
1 duty and 1 standby pumps	2 duty pumps						
1	1-2	1-2	2P3A_-90/4_	2P3SA_-90/4_	2JA_106N_	2JXF_106N_	-
		3	-	2P3SA_-90/4_	2JA_106N_	-	-
2	3-4	1-2	2P3A_-100/5_	2P3SA_-90/4_	2JA_126_	2JXF_126_	-
		3	2P3A_-100/5_	2P3SA_-100/5_	2JA_146_	2JXF_146_	-
		4	-	2P3SA_-100/5_	2JA_146_	-	-
		5	-	-	-	-	2JA_150_
3-4	5-8	1-2	2P5A_-120/4_	2P5SA_-120/4_	2JA_146_	2JXF_146_	-
		3	2P5A_-120/4_	2P5SA_-120/4_	2JAM_150_	-	-
		4	2P5A_-150/5_	2P5SA_-150/5_	2JAM_200	-	2JA_150_
		5	2P5A_-150/5_	2P5SA_-150/5_	2JAM_200	-	2JA_150_
		6	2P5A_-150/5_	2P5SA_-150/5_	2JAM_300	-	2JA_200_
		7	-	-	2JAM_300	-	2JA_200_
		8	-	-	-	-	2JA_300_

2JA 150-300



MODEL			P1		In			Required tank for v.s. Lt	DIMENSIONS										WEIGHT	
FIXED SPEED		VARIABLE SPEED	1~	3~	1- 230V	3- 400V	3- 230V		A	B	D	E	F	H	H1	H2	DNA	DNM	f.s.	v.s.
1- 230V	3- 400V	1- 230V-in 3- 230V-out																		
2JA150	2JA150T	2JA/E150T	1,74	1,68	7,9	3,3	5,7	2 x 20	940	615	564	60	380	650	112	380	2" G	1" ½ G	78	83
2JA200	2JA200T	2JA/E200T	2,22	2,1	10,3	3,9	6,8	2 x 20	940	615	564	60	380	650	112	380	2" G	1" ½ G	80	85
2JA300	2JA300T	-	2,65	2,5	11,8	4,9	-	-	940	615	564	60	380	650	112	380			82	-

f.s. : fixed speed
v.s. : variable speed



Dimensions and weights may differ slightly and therefore should be considered as indicative