

2KBJ



Pressurisation units with 2 threaded centrifugal pumps of KBJ series on a single skid, connected in parallel by suction and delivery manifolds.

They are available in fixed speed version with electronic control panel or in variable speed version with EPIC and EPIC-A inverters for constant pressure. The key characteristics of these systems are their reliability, user-friendly operation, and low maintenance needs. Installation of a pressure tank is required.

Booster set features

Suction manifold	galvanized steel with non-return and isolation valves
Delivery manifold	galvanized steel with pressure gauge and isolation valves, two connectors in the delivery manifold for direct installation of pressure tanks up to 24 lt
Base frame	galvanized steel
Fixed speed	electronic control panel EQ2SM(T) and two pressure switches
Variable speed	inverter EPIC or EPIC-A on each pump and two pressure sensors
Pressure tanks	available on request as accessories

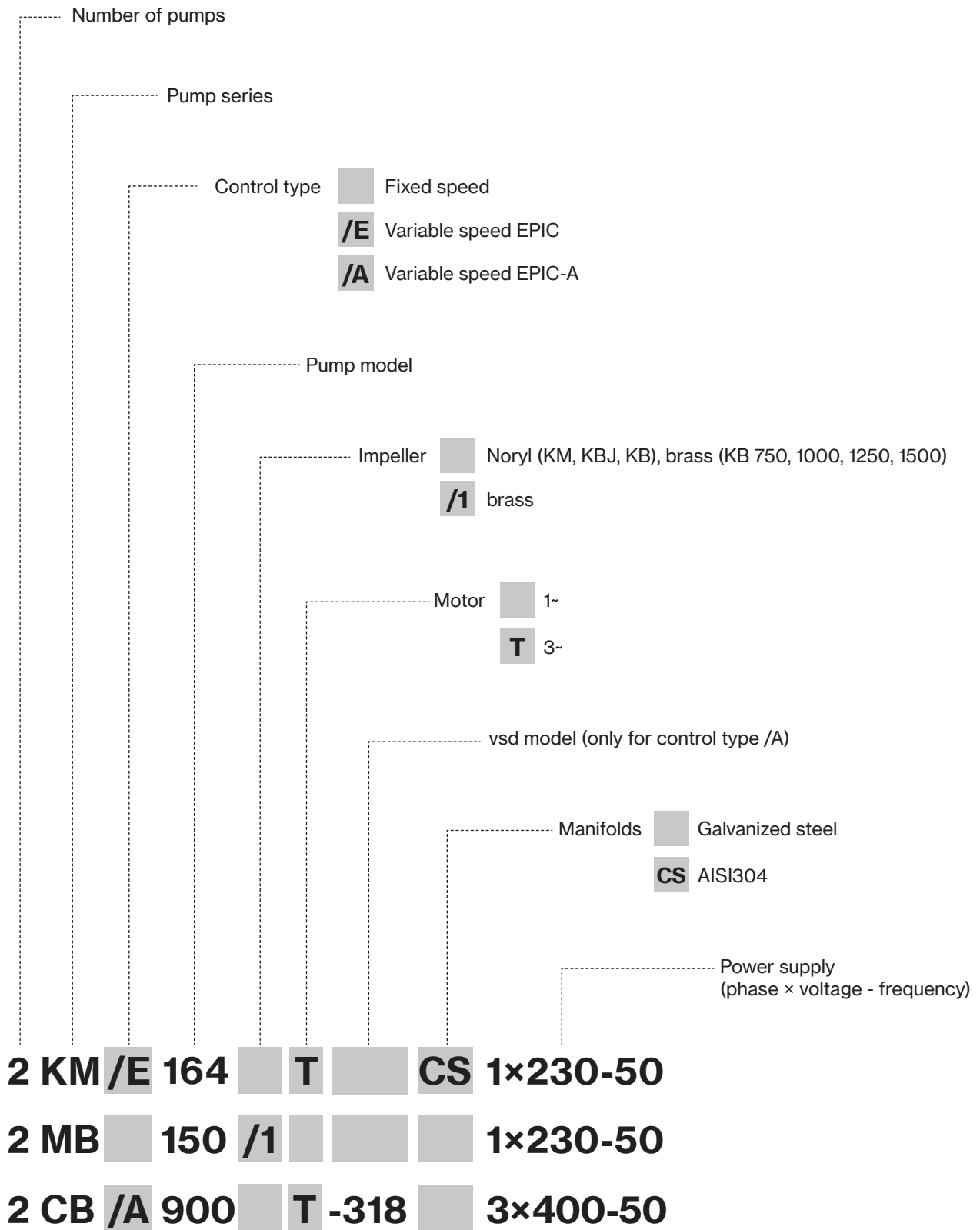
Pump features

Pump body	cast iron
Motor bracket	cast iron
Impeller	Noryl® or brass
Mechanical seal	ceramic-graphite-NBR
Motor shaft	stainless steel AISI 303
Liquid temperature	0 - 50 °C
Operating pressure	max 8 bar
2 Poles induction motor	3~ 230/400V - 50Hz 1~ 230V - 50Hz
Motor insulation class	F
Motor protection degree	IPX4

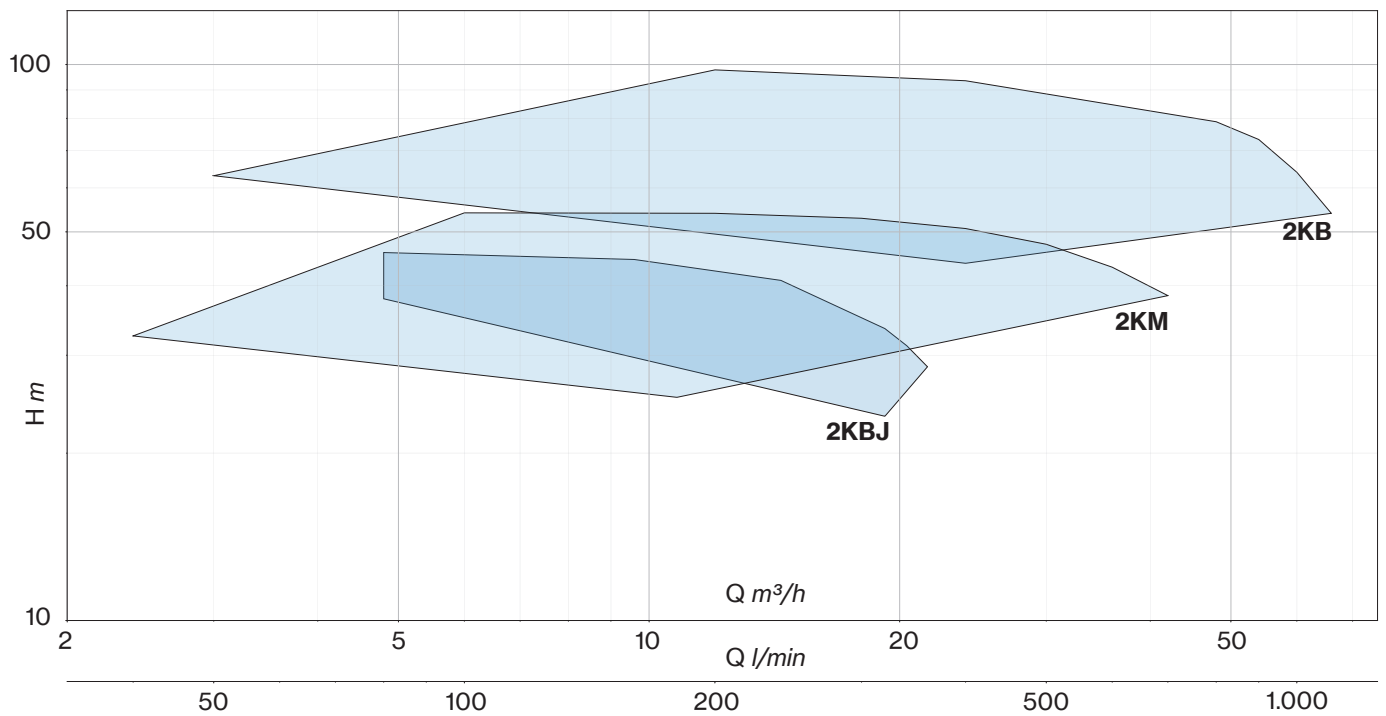
PERFORMANCE

TARGET (2 pumps)		MODEL				P2 NOMINAL		Q (m³/h - l/min)						
		FIXED SPEED		VARIABLE SPEED				0	4,8	9,6	14,4	19,2	20	21,6
l/min	bar	1- 230V	3- 400V	EPIC	EPIC-A	HP (x2)	kW (x2)	0	80	160	240	320	340	360
				1- 230V-in 3- 230V-out	3- 400V-in 3- 400V-out			H (m)						
160	3,5	2KBJ150	2KBJ150T	2KBJ/E150T	2KBJ/A150T-304	1,5	1,1	38,2	37,9	36,3	31,2	23,3		
240		2KBJ200	2KBJ200T	2KBJ/E200T	2KBJ/A200T-304	2	1,5	42,2	41,8	40,2	35,7	28,4	26,0	
300		2KBJ300	2KBJ300T	-	2KBJ/A300T-306	3	2,2	46,2	45,9	44,6	40,9	33,5	31,2	28,6

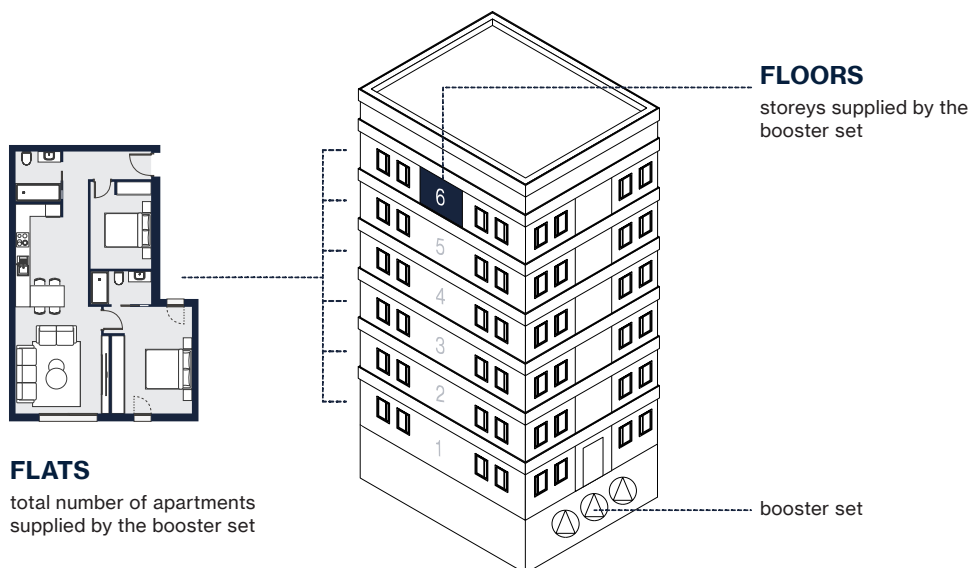
Name key



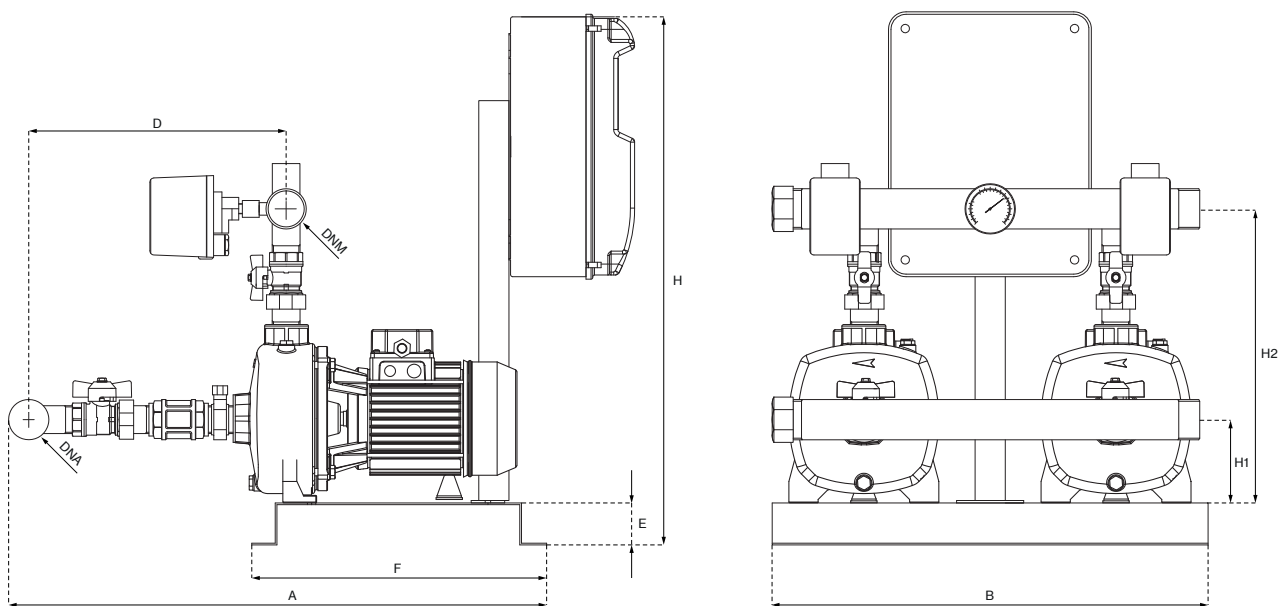
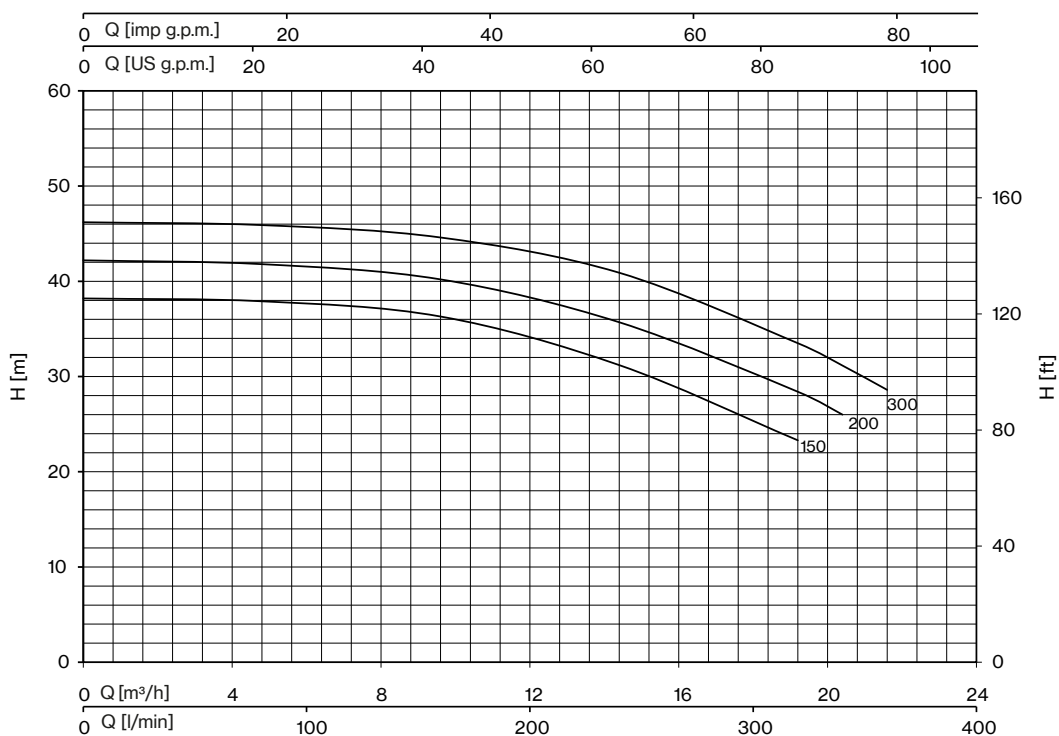
Performance data and curves



QUICK SELECTION



FLATS		FLOORS	KM series	KBJ series	KB series
1 duty and 1 standby pumps	2 duty pumps				
1	2-3	1-2 3	2KM_106_ -	-	- 2KB_100_
2-3	4-6	1-2 3 4-5 6 7	2KM_164_ 2KM_164_ 2KM_214_ 2KM_314_ -	- - - - -	2KB_100_ 2KB_160_ 2KB_160_ 2KB_210_ 2KB_310_
4-5	7-13	1-3 4 5 6	2KM_164_ 2KM_214_ 2KM_214_ 2KM_314_	2KBJ_150_ 2KBJ_200_ 2KBJ_300_ -	2KB_160_ 2KB_160_ 2KB_210_ 2KB_310_
6-8	14-20	1-2 3 4 5	2KM_214_ 2KM_214_ 2KM_214_ 2KM_314_	2KBJ_150_ 2KBJ_200_ 2KBJ_300_ -	2KB_160_ 2KB_160_ 2KB_210_ 2KB_310_
9-14	21-32	1-2 3-4 5-6 7-9 10-12	- - - - -	2KBJ_200_ 2KBJ_300_ - - -	2KB_210_ 2KB_310_ 2KB_400T_ 2KB_550T_ 2KBT_751_
15-28	33-56	1-4 5-6 7-8 9-11 12-13	2KM_400T_ 2KM_400T_ - - -	2KBJ_300_ - - - -	- - 2KB_550T_ 2KB_751RT_ 2KB_900T_



MODEL				P1		In			Required tank for v.s.	DIMENSIONS								WEIGHT			
FIXED SPEED		VARIABLE SPEED		1-	3-	1- 230V	3- 400V	3- 230V		A	B	D	E	F	H	H1	H2	DNA	DNM	f.s.	v.s.
1-	3-	EPIC	EPIC-A																		
		1- in 230V 3-out 230V	3- 400V-in 3- 400V-out																		
2KBJ150	2KBJ150T	2KBJ/E150T	2KBJ/A150T-304	1,6	1,5	7,2	3,1	5,4	2x 20	740	615	390	60	380	633	115	401			70	75
2KBJ200	2KBJ200T	2KBJ/E200T	2KBJ/A200T-304	1,85	1,75	8,4	3,4	5,9	2x 20	740	615	390	60	380	633	115	401	2" ½ G	2" G	71	76
2KBJ300	2KBJ300T	-	2KBJ/A300T-306	2,15	2,05	9,7	4,3	-	2x 20	740	615	390	60	380	633	115	401			73	79

f.s. : fixed speed
v.s. : variable speed



Dimensions and weights may differ slightly and therefore should be considered as indicative