

2KM



Pressurisation units with 2 threaded centrifugal pumps of KM series on a single skid, connected in parallel by suction and delivery manifolds.

They are available in fixed speed version with electronic control panel or in variable speed version with EPIC and EPIC-A inverters for constant pressure. The key characteristics of these systems are their reliability, user-friendly operation, and low maintenance needs. Installation of a pressure tank is required.

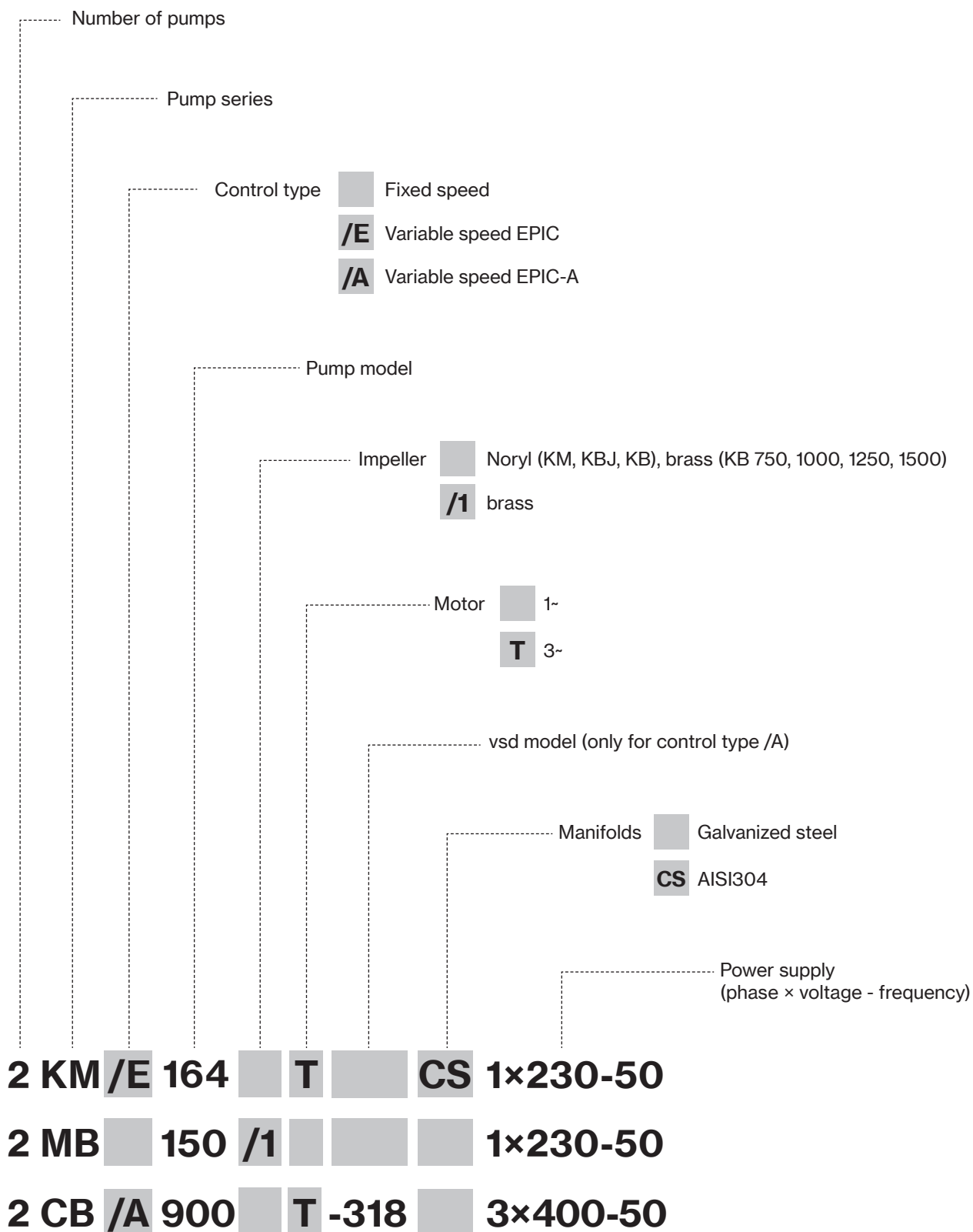
Booster set features

Suction manifold	galvanized steel with non-return and isolation valves
Delivery manifold	galvanized steel with pressure gauge and isolation valves, two connectors in the delivery manifold for direct installation of pressure tanks up to 24 lt
Base frame	galvanized steel
Fixed speed	electronic control panel EQ2SM(T) and two pressure switches
Variable speed	inverter EPIC or EPIC-A on each pump and two pressure sensors
Pressure tanks	available on request as accessories

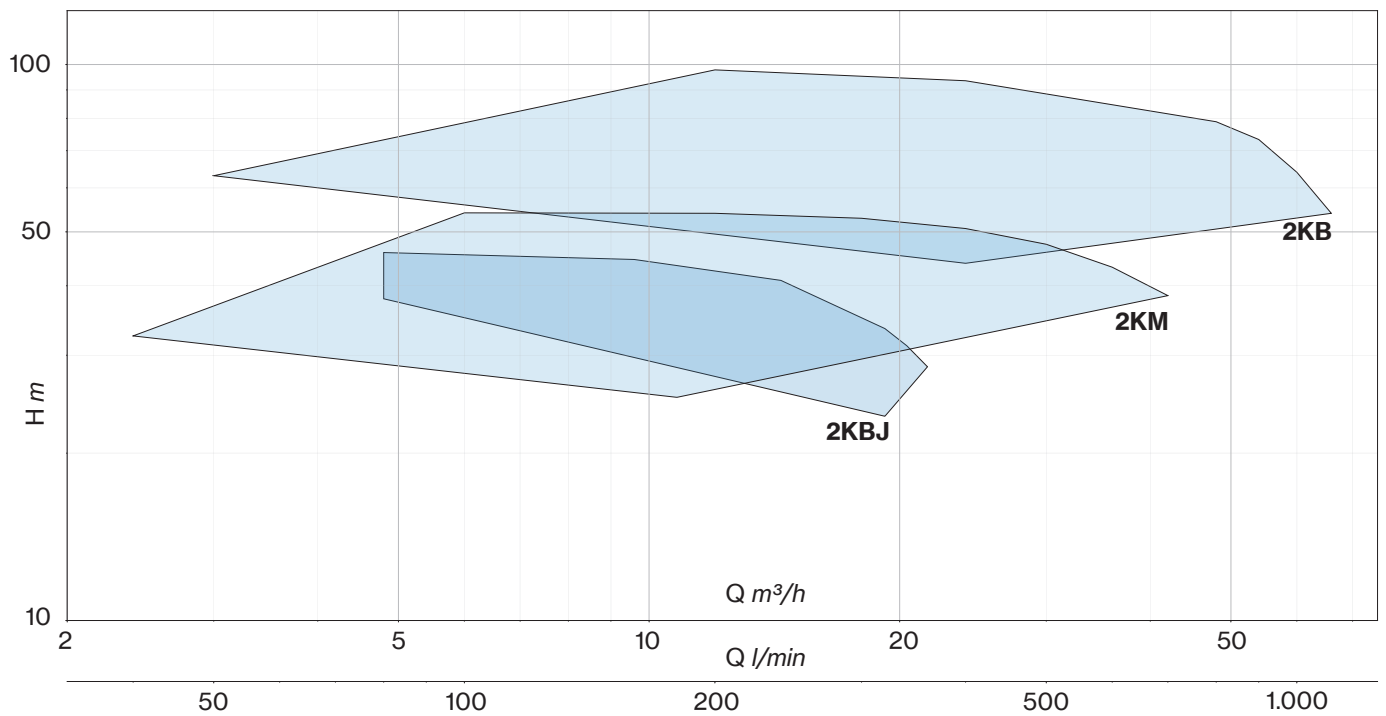
Pump features

Pump body	cast iron
Motor bracket	cast iron (164÷550); aluminum (106)
Impeller	Noryl® or brass (106÷314), brass (400÷550)
Mechanical seal	ceramic-graphite-NBR
Motor shaft	stainless steel AISI 416 (106) stainless steel AISI 303 (164÷550)
Liquid temperature	Noryl® impeller: 0 - 50 °C brass impeller: 0 - 90 °C
Operating pressure	max 6 bar (106) max 8 bar (164÷550)
2 Poles induction motor	3~ 230/400V - 50Hz 1~ 230V - 50Hz
Motor insulation class	F
Motor protection degree	IPX4

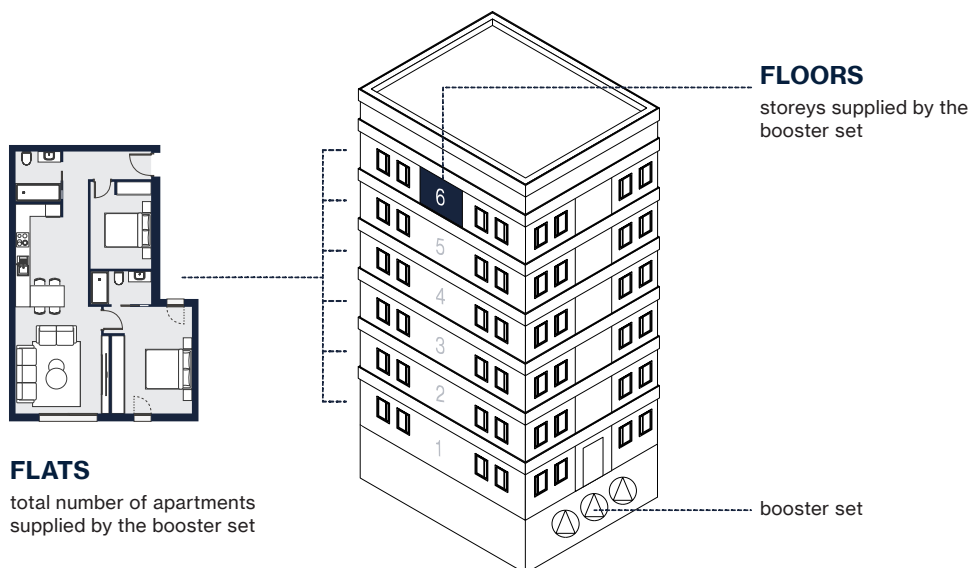
Name key



Performance data and curves



QUICK SELECTION

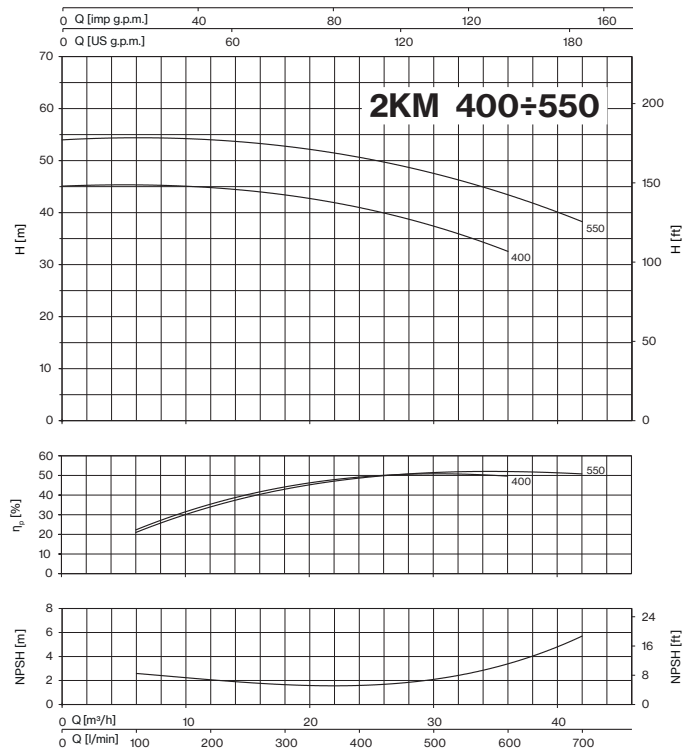
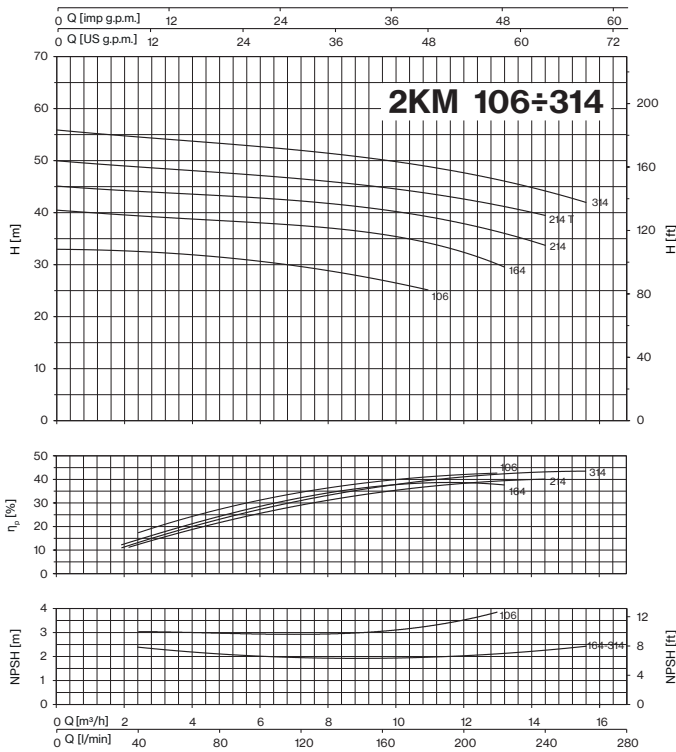


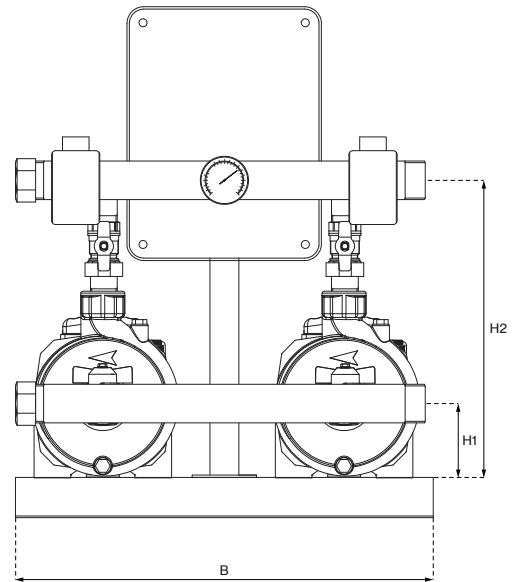
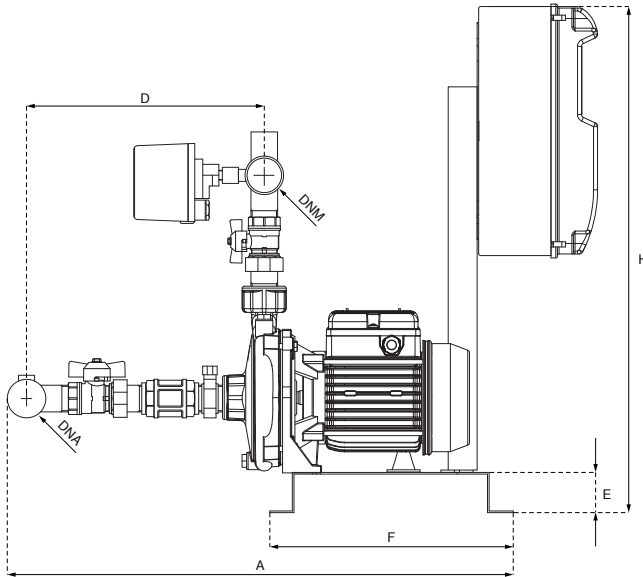
FLATS		FLOORS	KM series	KBJ series	KB series
1 duty and 1 standby pumps	2 duty pumps				
1	2-3	1-2	2KM_106_	-	-
		3	-	-	2KB_100_
2-3	4-6	1-2	2KM_164_	-	2KB_100_
		3	2KM_164_	-	2KB_160_
		4-5	2KM_214_	-	2KB_160_
		6	2KM_314_	-	2KB_210_
		7	-	-	2KB_310_
4-5	7-13	1-3	2KM_164_	2KBJ_150_	2KB_160_
		4	2KM_214_	2KBJ_200_	2KB_160_
		5	2KM_214_	2KBJ_300_	2KB_210_
		6	2KM_314_	-	2KB_310_
6-8	14-20	1-2	2KM_214_	2KBJ_150_	2KB_160_
		3	2KM_214_	2KBJ_200_	2KB_160_
		4	2KM_214_	2KBJ_300_	2KB_210_
		5	2KM_314_	-	2KB_310_
9-14	21-32	1-2	-	2KBJ_200_	2KB_210_
		3-4	-	2KBJ_300_	2KB_310_
		5-6	-	-	2KB_400T_
		7-9	-	-	2KB_550T_
		10-12	-	-	2KBT_751_
15-28	33-56	1-4	2KM_400T_	2KBJ_300_	-
		5-6	2KM_400T_	-	-
		7-8	-	-	2KB_550T_
		9-11	-	-	2KB_751RT_
		12-13	-	-	2KB_900T_

PERFORMANCE

TARGET (2 pumps)		MODEL				P2 NOMINAL		Q (m³/h - l/min)											
		FIXED SPEED		VARIABLE SPEED				0	2,4	4,8	7,2	9,6	10,8	13,2	14,4	15,6			
		1- 230V	3- 400V	EPIC	EPIC-A			0	40	80	120	160	180	220	240	260			
l/min	bar			1- 230V-in 3- 230V-out	3- 400V-in 3- 400V-out	HP (x2)	kW (x2)	H (m)											
100	3	-	-	2KM/E106T	2KM/A106T-304	1	0,74	33,0	32,5	31,5	29,6	26,8	25,2						
150	3,5	2KM164	2KM164T	2KM/E164T	2KM/A164T-304	1,5	1,1	40,5	39,3	38,6	37,5	35,6	34,6	29,5					
200	3,5	2KM214	-	-	-	2	1,5	45,1	44,1	43,3	42,3	40,5	39,2	36,4	33,5				
	4	-	2KM214T	-	-	2	1,5	50,0	48,7	47,8	46,5	44,9	43,7	41,3	39,4				
	4,5	2KM314	2KM314T	-	-	3	2,2	55,9	54,5	53,4	52,0	50,1	48,9	46,2	44,2	41,9			

TARGET (2 pumps)		MODEL				P2 NOMINAL		Q (m³/h - l/min)											
		FIXED SPEED		VARIABLE SPEED				0	6	12	18	24	30	36	42				
		1- 230V	3- 400V	EPIC	EPIC-A			0	100	200	300	400	500	600	700				
l/min	bar			1- 230V-in 3- 230V-out	3- 400V-in 3- 400V-out	HP (x2)	kW (x2)	H (m)											
400	4	-	2KM400T	-	-	4	3	45,1	45,2	44,9	43,4	40,9	37,4	32,5					
500	4,5	-	2KM550T	-	-	5,5	4	54,1	54,1	54,0	52,9	50,7	47,5	43,2	38,4				





MODEL				P1		In			Required tank for v.s.	DIMENSIONS										WEIGHT	
FIXED SPEED		VARIABLE SPEED		1~	3~	1~ 230V	3~ 400V	3~ 230V		A	B	D	E	F	H	H1	H2	DNA	DNM	f.s.	v.s.
1~	3~	EPIC	EPIC-A																		
		1- in 230V 3-out 230V	3- 400V-in 3- 400V-out	kW (x2)		A (x2)			Lt												
-	-	2KM/E106T	2KM/A106T-304	-	1,17	-	2	3,5	2 × 8	641	520	311	50	300	633	97	372	1" ½ G	-	49	54
2KM164	2KM164T	2KM/E164T	2KM/A164T-304	1,9	1,8	8,5	3,4	5,9	2 × 8	648	520	325	50	300	633	115	423	1" ½ G	-	65	70
2KM214	2KM214T	-	2KM/A214T-306	2,2	2,43	10,3	4,9	-	2 × 8	648	520	325	50	300	633	115	423	2" G	-	67	72
2KM314	2KM314T	-	2KM/A314T-306	2,85	2,67	13,5	5,1	-	2 × 8	648	520	325	50	300	633	115	423	2" G	-	68	73
-	2KM400T	-	2KM/A400T-309	-	3,7	-	6,7	-	2 × 20	849	615	378	60	380	633	133	515	3" G	2" ½ G	115	120
-	2KM550T	-	2KM/A550T-314	-	4,9	-	9	-	2 × 20	849	615	378	60	380	633	133	515	3" G	2" ½ G	116	136

f.s. : fixed speed
v.s. : variable speed