

# 2JXF



Pressurisation units with 2 self-priming pumps of JXF series on a single skid, connected in parallel by suction and delivery manifolds.

They are available in fixed speed version with electronic control panel or in variable speed version with EPIC inverters for constant pressure. The key characteristics of these systems are their reliability, user-friendly operation, and low maintenance needs. Installation of a pressure tank is required.

## Booster set features

<b>Suction manifold</b>	galvanized steel with non-return and isolation valves
<b>Delivery manifold</b>	galvanized steel with pressure gauge and isolation valves, two connectors in the delivery manifold for direct installation of pressure tanks up to 24 lt
<b>Base frame</b>	galvanized steel
<b>Fixed speed</b>	electronic control panel EQ2SM(T) and two pressure switches
<b>Variable speed</b>	inverter EPIC on each pump and two pressure sensors
<b>Pressure tanks</b>	available on request as accessories

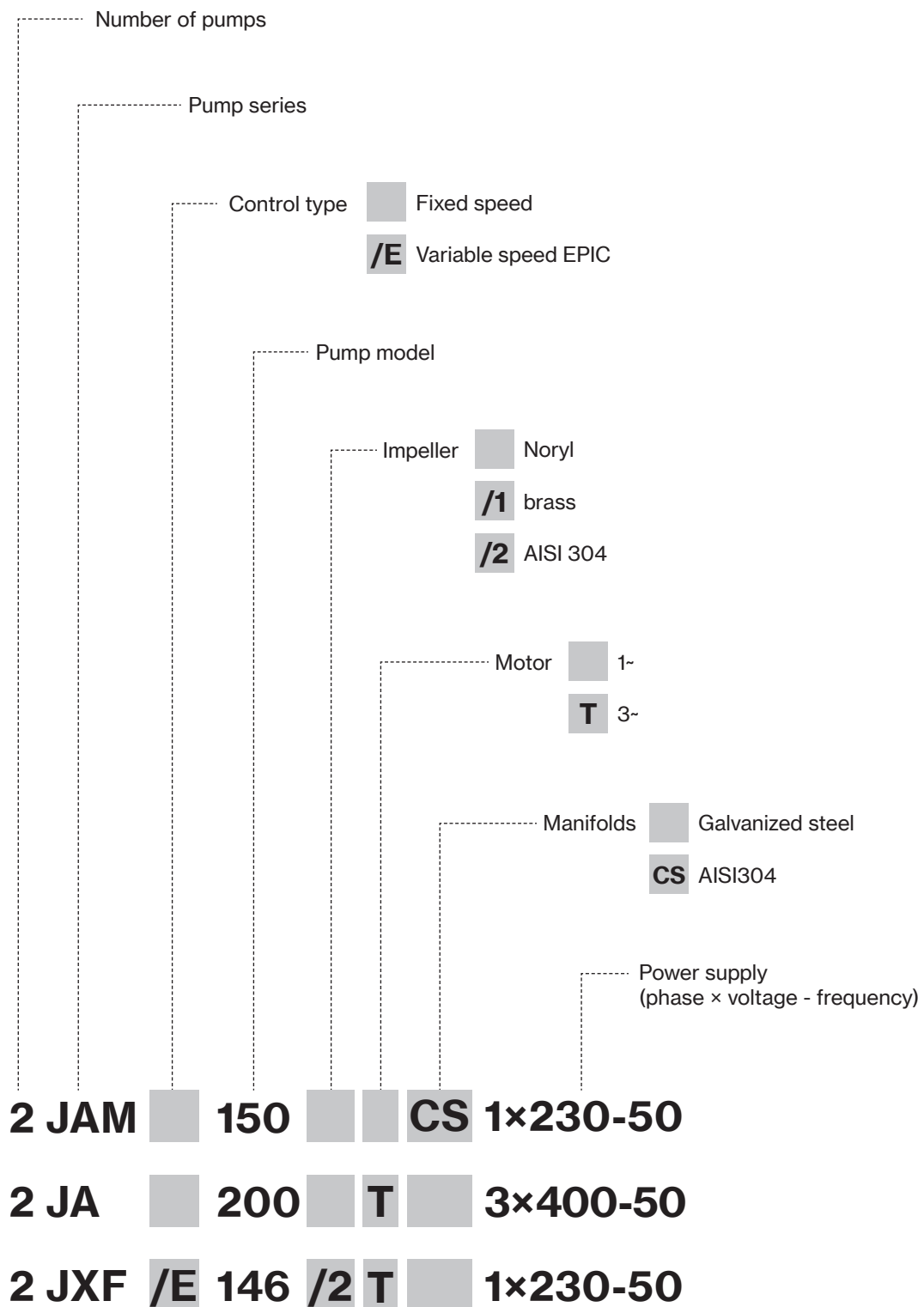
## Pump features

<b>Pump body</b>	stainless steel AISI 304
<b>Motor bracket</b>	aluminum
<b>Impeller</b>	Noryl®, steel AISI 304
<b>Mechanical seal</b>	ceramic-graphite-NBR
<b>Motor shaft</b>	stainless steel AISI 416
<b>Liquid temperature</b>	0 - 50 °C
<b>Operating pressure</b>	max 8 bar
<b>2 Poles induction motor</b>	3- 230/400V - 50Hz 1- 230V - 50Hz
<b>Motor insulation class</b>	F
<b>Motor protection degree</b>	IPX4

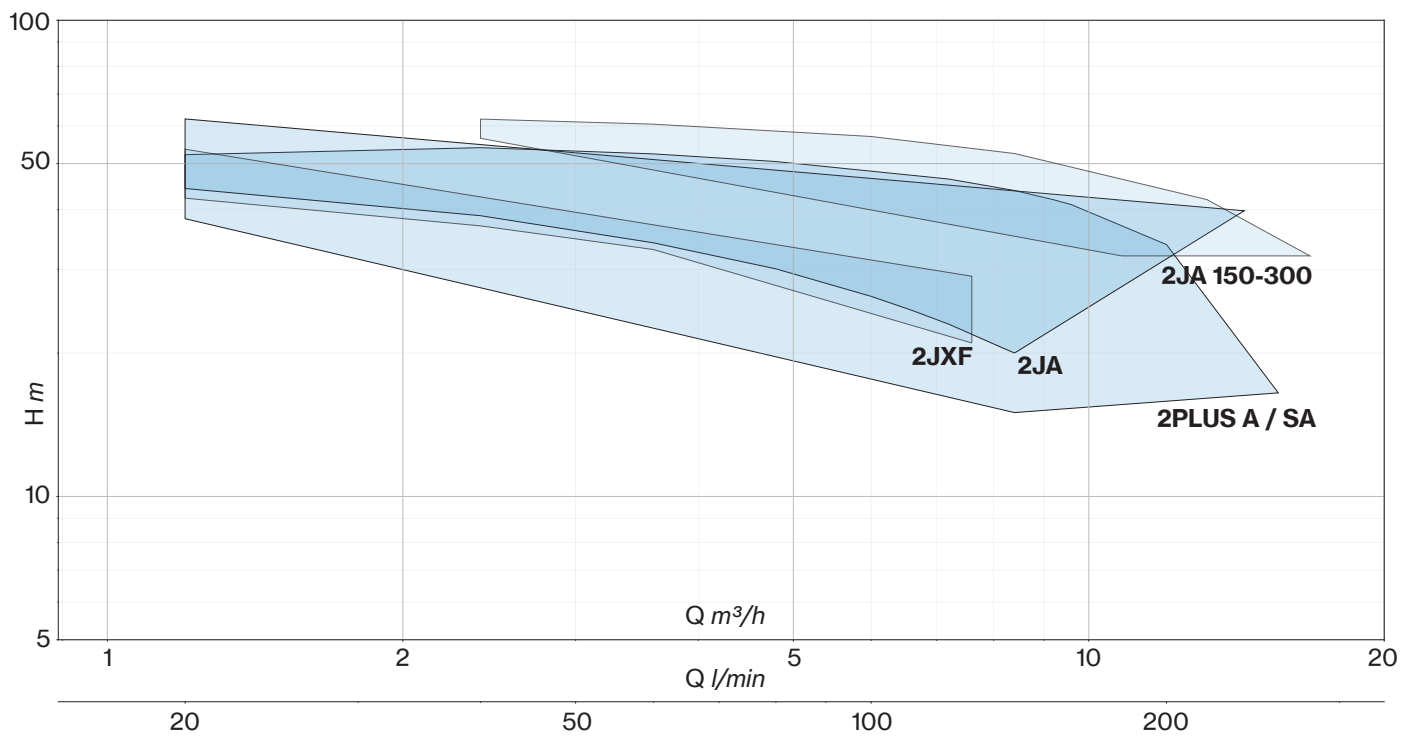
## PERFORMANCE

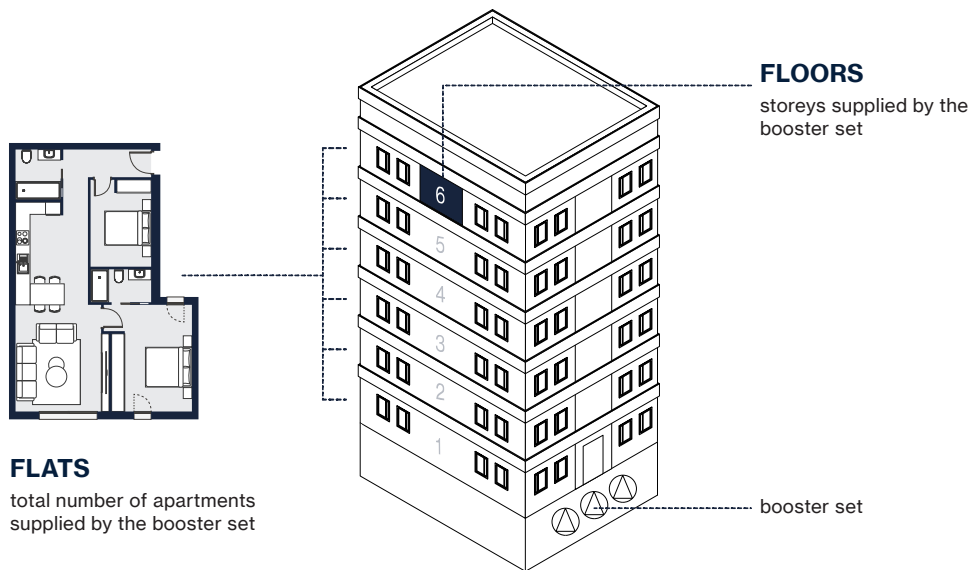
TARGET (2 pumps)		MODEL			P2 NOMINAL		Q (m³/h - l/min)							
		FIXED SPEED		VARIABLE SPEED			0	1,2	2,4	3,6	4,8	6	7,2	7,6
l/min	bar	1- 230V	3- 400V	1- 230V-in 3- 230V-out	HP (x2)	kW (x2)	H (m)							
		80	3	2JXF106N			2JXF106NT	2JXF/E106NT	1	0,74	48,0	42,3	37,0	33,0
100	2JXF126	2JXF126T		2JXF/E126T	1,2	0,88	53,4	47,4	41,9	37,5	33,7	29,9	26,0	24,3
120	2JXF146	2JXF146T		2JXF/E146T	1,5	1,1	60,2	53,6	47,8	42,4	38,0	34,4	30,5	29,0

# Name key

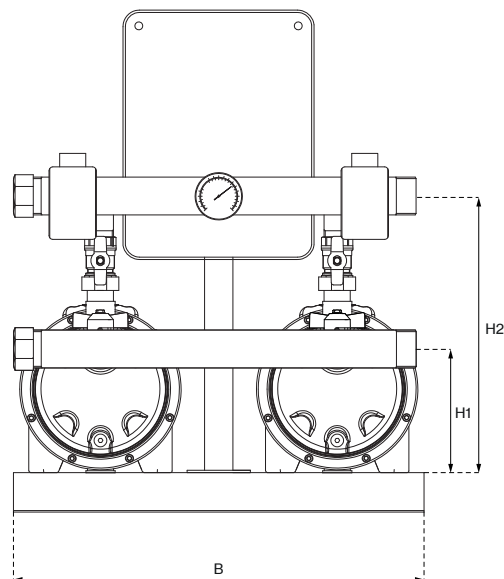
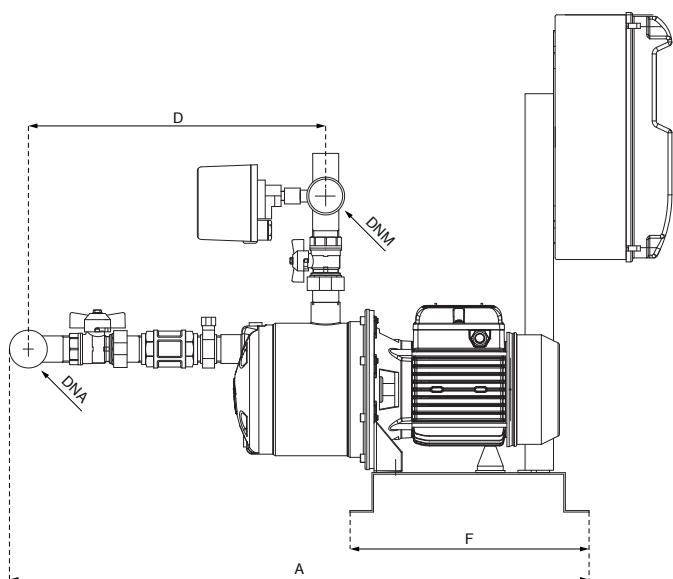
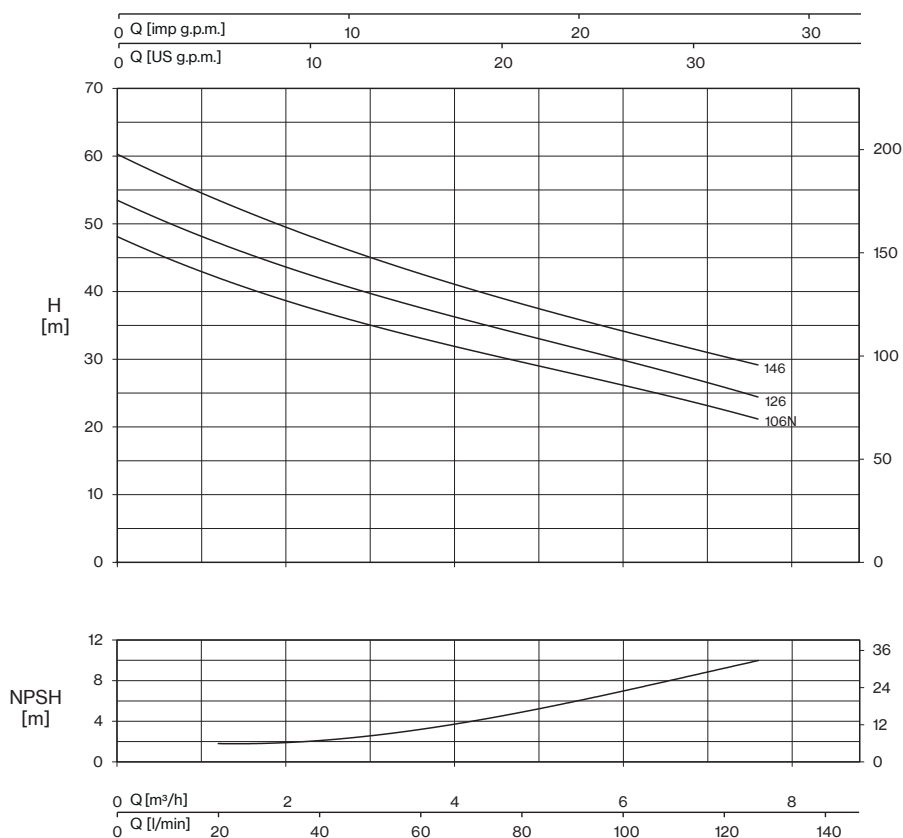


# Performance data and curves





FLATS		FLOORS	PLUS A series	PLUS SA series	JA/JAM series	JXM series	JA 150-300 series
1 duty and 1 standby pumps	2 duty pumps						
1	1-2	1-2	2P3A_-90/4_	2P3SA_-90/4_	2JA_106N_	2JXF_106N_	-
		3	-	2P3SA_-90/4_	2JA_106N_	-	-
2	3-4	1-2	2P3A_-100/5_	2P3SA_-90/4_	2JA_126_	2JXF_126_	-
		3	2P3A_-100/5_	2P3SA_-100/5_	2JA_146_	2JXF_146_	-
		4	-	2P3SA_-100/5_	2JA_146_	-	-
		5	-	-	-	-	2JA_150_
3-4	5-8	1-2	2P5A_-120/4_	2P5SA_-120/4_	2JA_146_	2JXF_146_	-
		3	2P5A_-120/4_	2P5SA_-120/4_	2JAM_150_	-	-
		4	2P5A_-150/5_	2P5SA_-150/5_	2JAM_200	-	2JA_150_
		5	2P5A_-150/5_	2P5SA_-150/5_	2JAM_200	-	2JA_150_
		6	2P5A_-150/5_	2P5SA_-150/5_	2JAM_300	-	2JA_200_
		7	-	-	2JAM_300	-	2JA_200_
		8	-	-	-	-	2JA_300_



MODEL			P1		In			Required tank for v.s. Lt	DIMENSIONS										WEIGHT	
FIXED SPEED		VARIABLE SPEED	1-	3-	1- 230V	3- 400V	3- 230V		A	B	D	E	F	H	H1	H2	DNA	DNM	f.s.	v.s.
1- 230V	3- 400V	1- 230V-in 3- 230V-out	kW (×2)		A (×2)				mm										Kg	
2JXF106N	2JXF106NT	2JXF/E106NT	1,04	0,95	4,7	1,7	2,9	2 × 8	740	520	392	50	300	650	153	350			42	47
2JXF126	2JXF126T	2JXF/E126T	1,14	1,03	5,2	1,9	3,3	2 × 8	740	520	392	50	300	650	153	350	1" ½ G	1" ½ G	43	48
2JXF146	2JXF146T	2JXF/E146T	1,3	1,23	6	2,5	4,3	2 × 8	740	520	392	50	300	650	153	350			44	49

f.s. : fixed speed  
v.s. : variable speed



Dimensions and weights may differ slightly and therefore should be considered as indicative